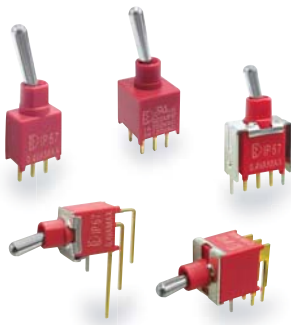


2A SERIES

SEALED SUB-MINIATURE TOGGLE SWITCH



SPECIFICATIONS

CONTACT RATING: Dependent upon contact material, see page 37.

MECHANICAL LIFE: 30,000 make-and-break cycles.

CONTACT RESISTANCE: 20 mΩ max. (initial value) @ 2-4VDC
100mA for both silver and gold plated contacts.

INSULATION RESISTANCE: 1,000 MΩ min./1000VDC

DIELECTRIC STRENGTH: 1,000 Vrms min.@sea level.(initial value)

OPERATING TEMPERATURE: -40°C to 85°C.

MATERIALS

CASE & BUSHING: Glass filled nylon 6/6, flame retardant,
heat stabilized (UL94v-0).

ACTUATOR: Brass with Tin-Cobalt alloy over Ni plated,
or Glass filled nylon 6/6, internal o-ring sealed.

SWITCH SUPPORT: Brass, tin plated.

CONTACT / TERMINALS: Copper or brass with silver or gold plated.

(See page 37)

HOW TO ORDER

MODEL NO.	ACTUATOR	BUSHING	TERMINAL TYPE	TERMINAL PLATING	SEAL	RoHS SOLDERING
<u>SP</u> 2AS1 ON-NONE-ON 2AS2 ON-NONE-(ON) 2AS3 ON-OFF-ON 2AS4 (ON)-OFF-(ON) 2AS5 ON-OFF-(ON) 2AS6 OFF-NONE-ON <u>DP</u> 2AD1 ON-NONE-ON 2AD2 ON-NONE-(ON) 2AD3 ON-OFF-ON	T1 10.16 high T2 6.10 high T3 8.13 high T4 13.97 high Plastic,Black TA 10.16 high TB 6.10 high	<u>SP</u> A1 4.65 high A3 5.00 high <u>DP</u> A2 4.50 high	M2 PC thru-hole M51 Wire wrap M6 Right angle, PC thru-hole * M6N Right angle, snap-in, PC thru-hole * M7 Vertical right angle, PC thru-hole * M7N Vertical right angle, snap-in, PC thru-hole * <u>V-bracket</u> VS2 9.30 high V2N 9.30 high Snap-in.	Q Gold flash over silver R Gold C Gold over silver	E EPOXY (std)	S RoHS & Lead Free

2A SERIES

SEALED SUB-MINIATURE TOGGLE SWITCH

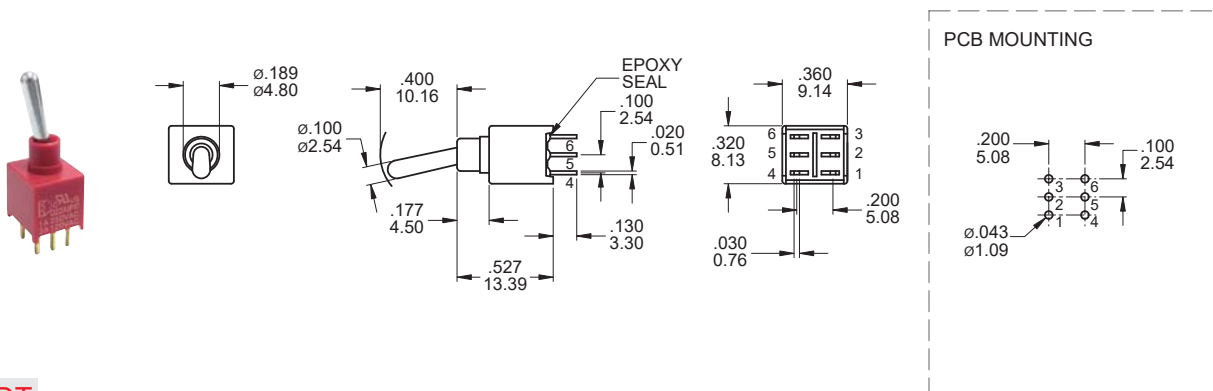
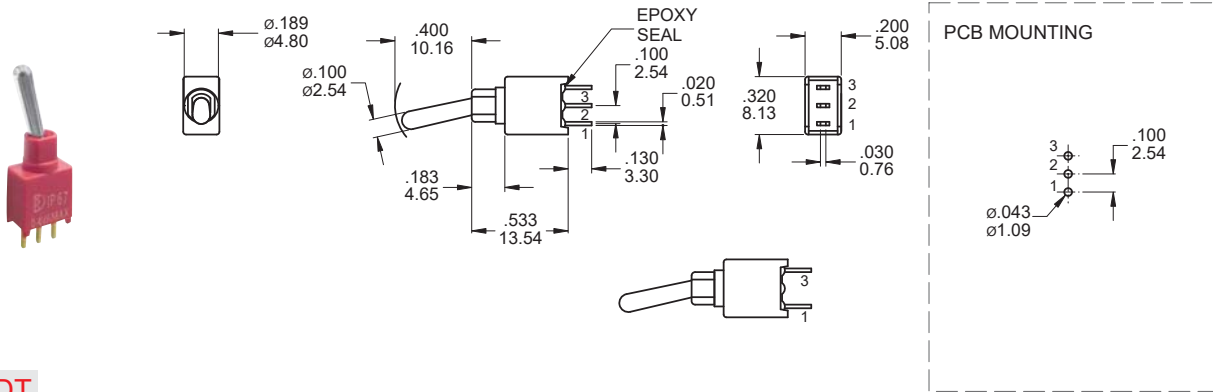


▼ SWITCH FUNCTION

NO. POLES	UL/CSA MODEL NO.	MODEL NO.	SWITCH FUNCTION			CONNECTED TERMINALS / SCHEMATIC		
			POS.1	POS.2	POS.3	POS.1	POS.2	POS.3
SP	Q22A11	2AS1	ON	NONE	ON		N/A	
	Q22A12	2AS2	ON	NONE	(ON)	2-3		2-1
	Q22A13	2AS3	ON	OFF	ON		OPEN	
	Q22A14	2AS4	(ON)	OFF	(ON)			
	Q22A15	2AS5	ON	OFF	(ON)			
	Q22A16	2AS6	OFF	NONE	ON	OPEN	N/A	3-1
DP	Q22A21	2AD1	ON	NONE	ON	2-3,5-6	N/A	2-1,5-4
	Q22A22	2AD2	ON	NONE	(ON)		OPEN	
	Q22A23	2AD3	ON	OFF	ON			

()=MOMENTARY

▼ POLE OPTIONS



2A SERIES

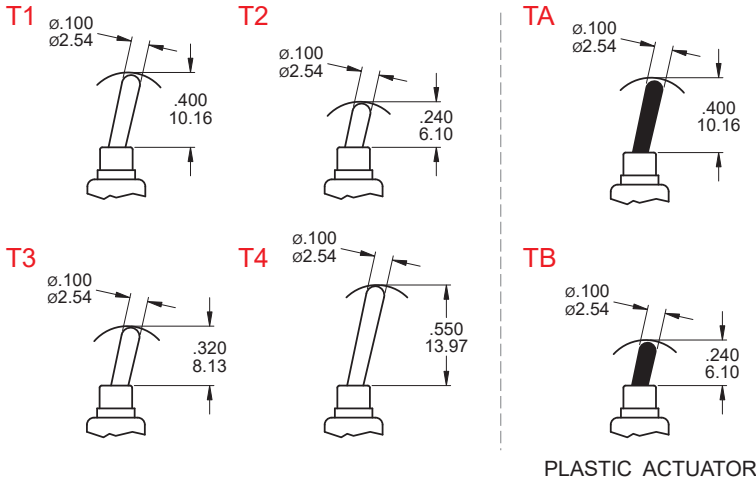
SEALED SUB-MINIATURE TOGGLE SWITCH



▼ ACTUATOR OPTIONS

Actuator are shown with Bushing A1(standard)

Note: For A3 Bushing: - .020inch(0.50mm)



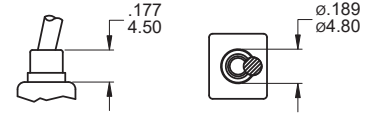
PLASTIC ACTUATOR

▼ BUSHING OPTIONS

A1 For SPDT



A2 For DPDT

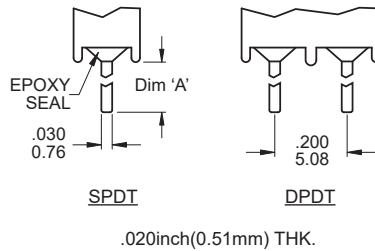


A3 For SPDT



▼ TERMINAL OPTIONS

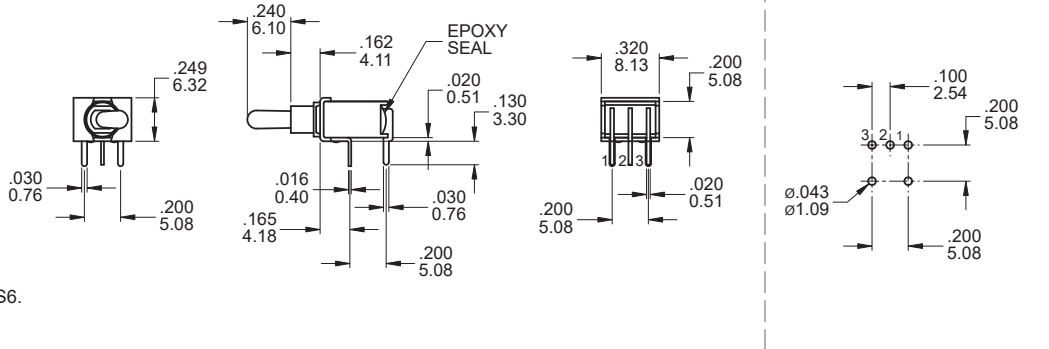
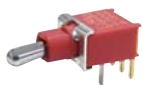
TERMINAL	DIM. 'A'
M2 PC Thru-hole	.130 (3.30)
M51 Wire Wrap	.600 (15.24)



OTHER TERMINAL OPTIONS

- M6** Right angle P.C. Mount
- M6N** Right angle P.C. Mount
Snap-in bracket
- M7** Vertical right angle P.C. Mount
- M7N** Vertical right angle P.C. Mount
Snap-in bracket
- VS2** Vertical bracket P.C. Mount

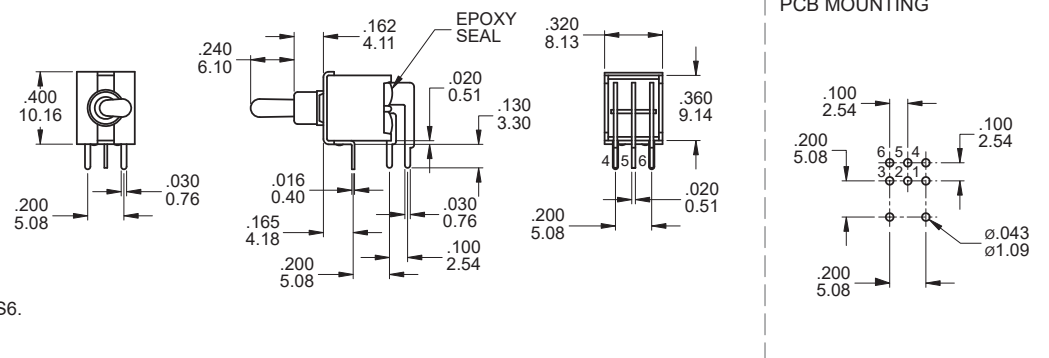
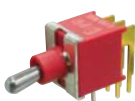
M6
(M6N - Snap-in)



Note: Not available for 2AS6.

SPDT

M6
(M6N - Snap-in)



Note: Not available for 2AS6.

DPDT

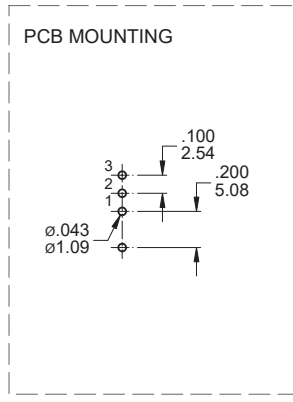
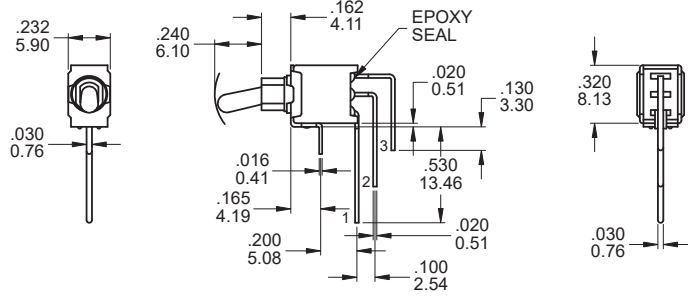
2A SERIES

SEALED SUB-MINIATURE TOGGLE SWITCH



M7

(M7N - Snap-in)

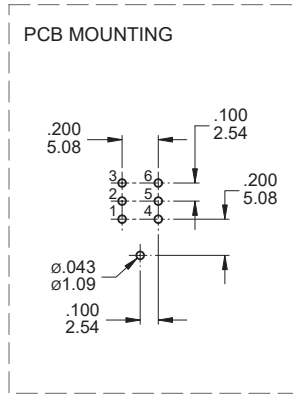
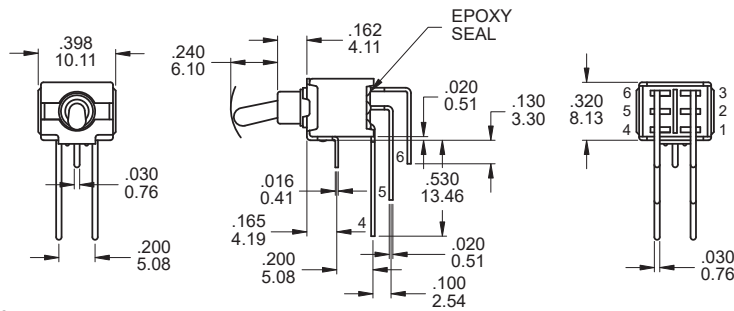
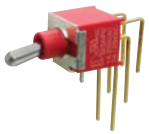


Note: Not available for 2AS6.

SPDT

M7

(M7N - Snap-in)

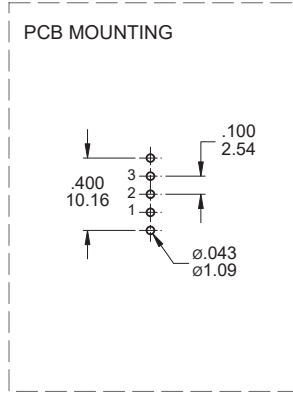
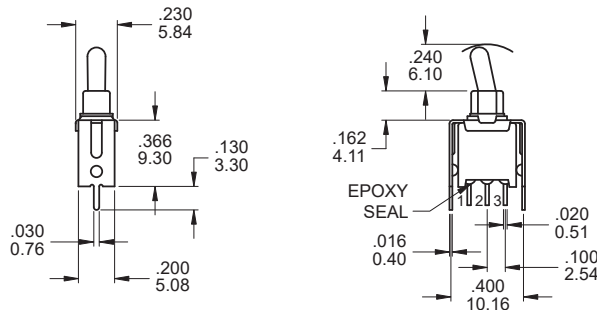


Note: Not available for 2AS6.

DPDT

VS2

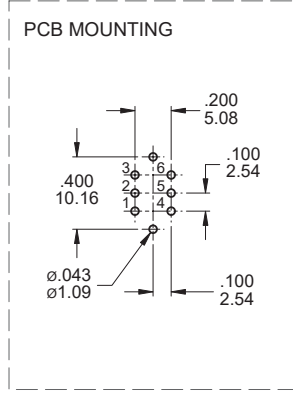
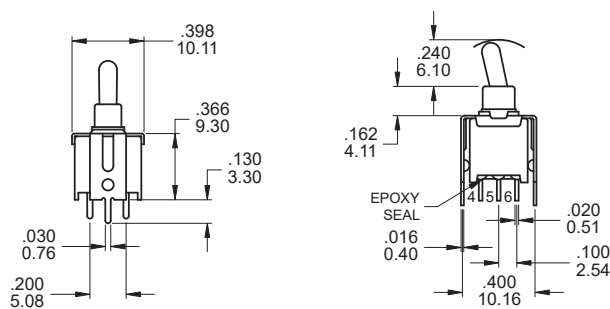
(V2N - Snap-in)



SPDT

VS2

(V2N - Snap-in)



DPDT

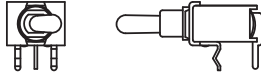
2A SERIES

SEALED SUB-MINIATURE TOGGLE SWITCH

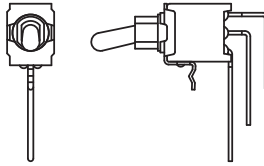


▼ SNAP-IN TERMINAL OPTIONS

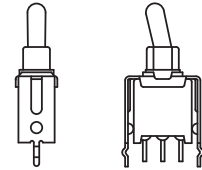
M6N



M7N



V2N



Note: The terminal type of M6N, M7N are not suitable for 2AS6.

▼ CONTACT & TERMINAL PLATING OPTIONS

	CONTACT PLATING	TERMINAL PLATING	RATINGS
Q	Silver	Gold flash over silver	3 Amps with resistant load @ 120VAC or 28VDC
C	Gold over Silver	Gold over silver	1 Amps with resistant load @ 250VAC
R	Gold	Gold	0.4 Volt - Amps (VA) max. @ 20V max. (AC or DC)

▼ SOLDERING PROCESS

MANUAL SOLDERING: Use 30 watts soldering iron and controlled the temperature at 350°.

Duration of solder immersion: Max. 5 sec.

WAVE SOLDERING: Recommend soldering temperature: 260 ± 5°C

Duration of solder immersion: Max. 5 sec. (PCB thickness is 1.6mm)