

KS01 SERIES

LED ILLUMINATED TACT SWITCH



» Features

- DIP top actuated.
- Several caps and LED colors options.
- Several cap legends options.
- Long operating life.

» Applications

- Suitable for use in digital circuits of any electronic devices as reset switches, etc.



» Specifications

Rating	10mA 35VDC
Insulation Resistance	100MΩ Min(at 250 VDC)
Dielectric Strength	AC 250V (50/60 Hz for 1 minute)
Contact Resistance	30mΩ Max. (Initial)
Electrically Life	V:130gf 100,000 Cycles Min
	M:250gf 30,000 Cycles Min
Ambient Temperature	-20°C~ +60°C
Operating Force	V: 130 ± 50gf
	M: 250 ± 50gf
Travel	1.0 ± 0.2 mm

» LED Specifications

Color	VR	IF	Recommended Operating Current	VF	
				Nor	Max
Red	DC 5V	20mA	20mA	1.7V	2.4V
Green	DC 5V	20mA	20mA	1.9V	2.4V
Yellow	DC 5V	20mA	20mA	1.9V	2.4V
Blue	DC 5V	20mA	20mA	3.0V	3.6V
White	DC 5V	20mA	20mA	3.0V	3.6V

For the specification about the other LEDs, please contact with sales department

» Product selection

KS01-

BUTTON TYPE		OPERATING FORCE		BUTTON COLOR		LED COLOR		CAP COLOR		LASER ETCHING	
A		V	130 ± 50gf	-	LED	1		1	Misty Silver	01	
B		M	250 ± 50gf	R	Red	2		2	Bright Silver	02	
C				Y	Yellow	3		3	Gold	03	OK
D				G	Green	4		4	White	04	
F				B	Blue	5		5	Bright Black	05	
AL				W	White	6		6	Red	06	
BL				BK	Black	8		7	Misty Black	07	
EL						9		8	Sky blue	08	
EL1						10		9	Gunmetal black	09	
HV						011		A	Orange	10	
						12					
						13					
						14					
						23					
						48					
						52					
						58					
						-	Non-LED				

Please inquire about the details with our sales representative.

KS01 SERIES

LED ILLUMINATED TACT SWITCH



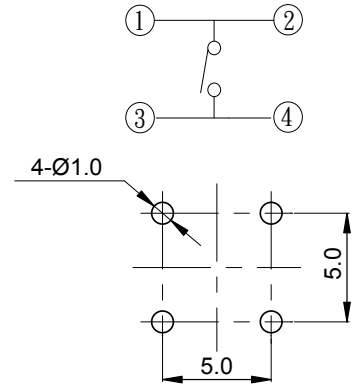
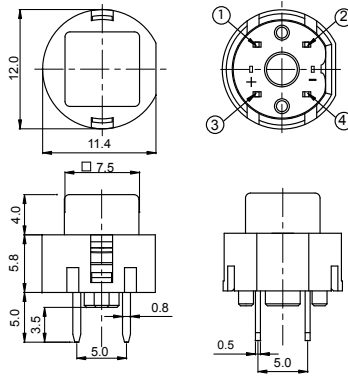
» Operating characteristics

Unit: mm

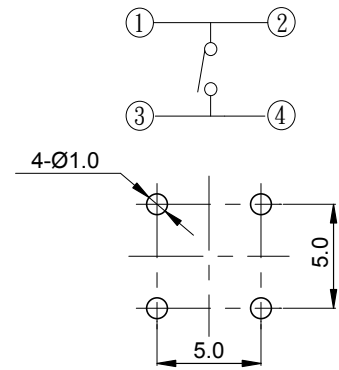
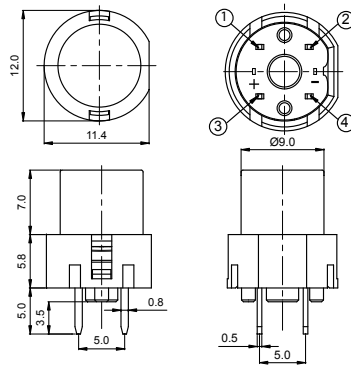
Dimensions

P.C.B Layout

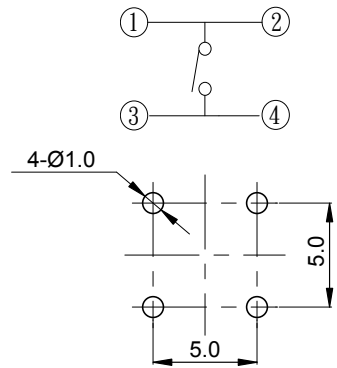
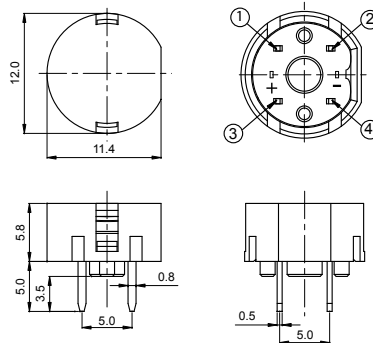
KS01-A



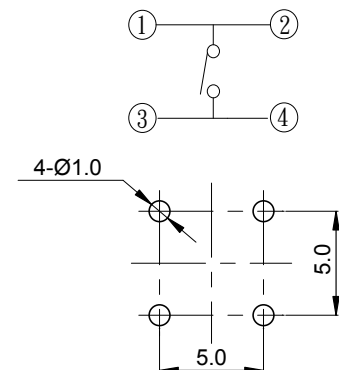
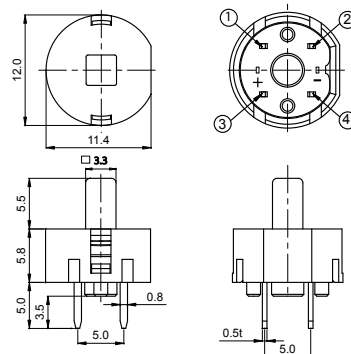
KS01-B



KS01-C



KS01-D



KS01 SERIES

LED ILLUMINATED TACT SWITCH



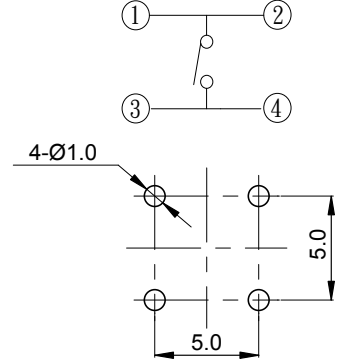
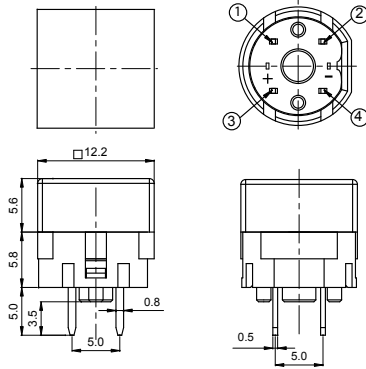
» Operating characteristics

Unit: mm

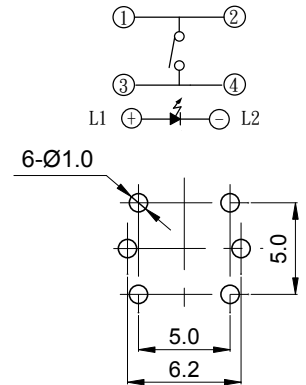
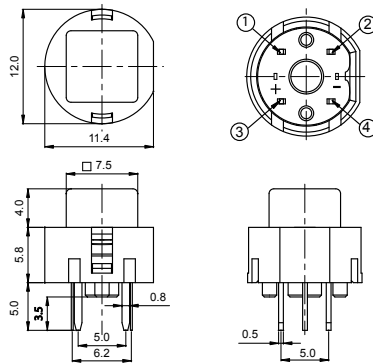
Dimensions

P.C.B Layout

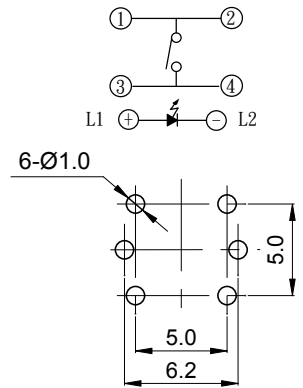
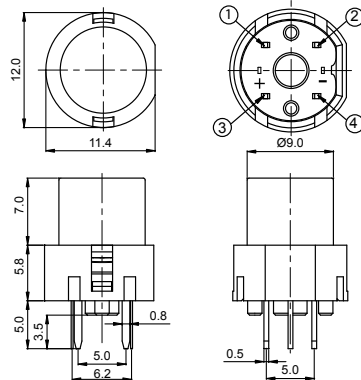
KS01-F



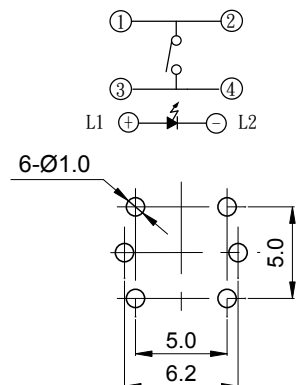
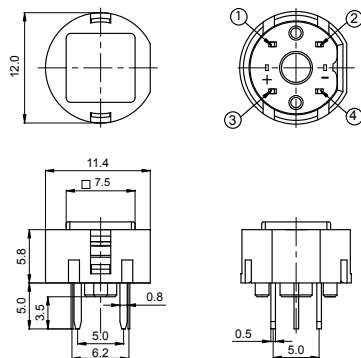
KS01-AL



KS01-BL



KS01-EL



KS01 SERIES

LED ILLUMINATED TACT SWITCH



» Operating characteristics

Unit: mm

Dimensions

P.C.B Layout

KS01-HVL

