

# MLS SERIES

## LED PUSH BUTTON SWITCH

### Feature :


- Small size
- Bi-color LED illuminated available
- SPST, momentary function

### Application :

- Computer products
- Office appliance
- Communication equipments

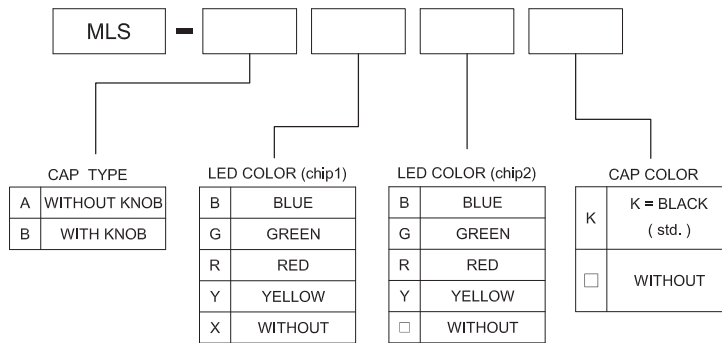


SWITCH SPECIFICATIONS	
POLE - POSITION	Momentary Type , SPST with LED
CONTACT RATING	36 V DC , 0,2 A
CONTACT RESISTANCE	40 mΩ MAX. 1.5 V DC ; 100 mA by Method of Voltage DROP
INSULATION RESISTANCE	100 MΩ MIN. 500 V DC
DIELECTRIC STRENGTH	Breakdown is not Allowable : 500 V AC for 1 Minute
OPERATING FORCE	300 ± 100 gf
OPERATING LIFE	10,000 cycles
OPERATING TEMPERATURE RANGE	-40°C ~ 85°C
TOTAL TRAVEL	FULL TRAVEL : 2.4 ± 0.3 mm CONTACT TRAVEL : 1.6 ± 0.3 mm

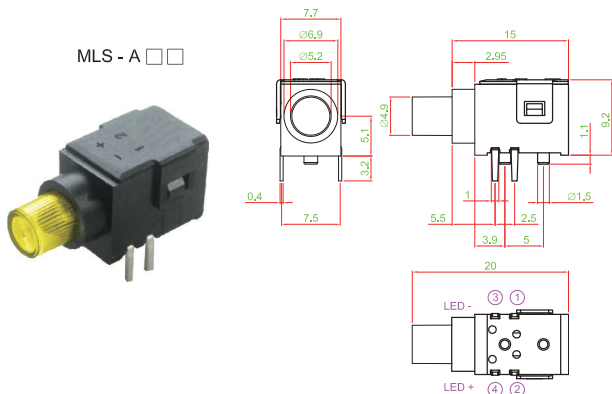
LED SPECIFICATIONS								
ATTENTION LEDs are Electrostatic Sensitive devices  (+) ○ (−)	Unit	Value / LED Color						
		Blue	Pure Green	Red	Yellow	Orange	Green	White
LUMINOUS INTENSITY@20mA I <sub>v</sub>	mcd	900	6500	900	1300	900	400	1200
Dominant Wavelength λ <sub>D</sub>	nm	470	525	635	590	601	570	/
FORWARD VOLTAGE@20mA V <sub>f</sub>	V	3.2	3.3	1.95	2	2.1	2.1	4

■ A single bin cannot be ordered, please contact us in advance if you need a particular bin sorting before placing your order to clarify the lead time, MOQ and pricing

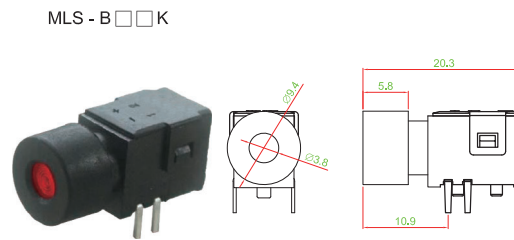
### ▶ HOW TO ORDER



### ▶ DIMENSION



### ▶ CAP TYPE



### ▶ CIRCUIT

