

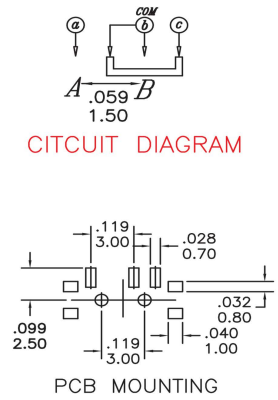
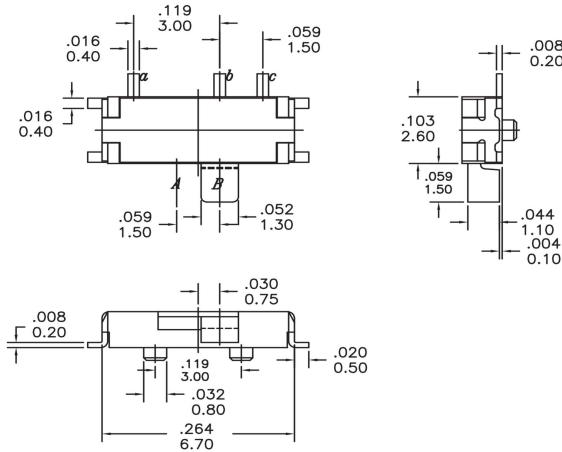
**SPECIFICATIONS**

ELECTRICAL LIFE: 10,000 cycles  
 CONTACT RATING: Switch :100MΩ max  
 INSULATION RESISTANCE: 100MΩ min @ 500 VDC.  
 CONTACT RESISTANCE: Initial : 50mΩ @ 2-4VDC @ 100mA.

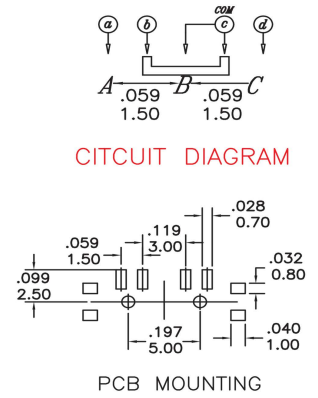
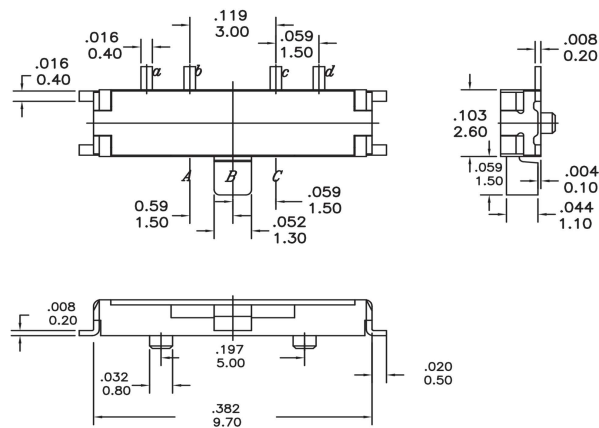
DIELECTRIC STRENGTH: 500 VAC/1minute.  
 CAPACITANCE: 5pf max.  
 TEMPERATURE RANGE: Operating/Storage : -20° C to+ 70° C.  
 VIBRATION: To MIL-STD-202F. Method 201A.  
 SHOCK: To MIL-STD-202F. Method 213B, Condition A.

**MODEL OPTIONS**

**MSS3**



**MSS4**



**MSS6**

