

# PB613 SERIES

LED ILLUMINATED PUSH BUTTON SWITCH



## » Features

- New design-double layer illuminated push switch.
- Sharp "click" feeling with positive reliability feedback.
- Epoxy sealing treatment, free of flux entry.
- Several LED colors options.
- Side-actuated with right angle terminal.
- Several cap legends options.



## » Applications

- Operating switches in all types of electronic equipment such as audio apparatus, office equipment, communications apparatus, TV sets, VCRs, etc.

## » Specifications

Rating	0.1A 30VDC
Insulation Resistance	100MΩ Min (at 500 VDC)
Dielectric Strength	AC 500V (50/60 Hz for 1 minute)
Contact Resistance	50mΩ Max. (Initial)
Electrically Life	10,000 Cycles Min
Ambient Temperature	-10°C~ +80°C
Operating Force	150 ± 100gf (Momentary)
	250 ± 100gf (Alternate)
	200 ± 100gf (Momentary With Click)

## » LED Specifications

Color	VR	IF	Recommended Operating Current	VF	
				Nor	Max
Red	DC 5V	20mA	20mA	1.7V	2.4V
Green	DC 5V	20mA	20mA	1.9V	2.4V
Yellow	DC 5V	20mA	20mA	1.9V	2.4V
Blue	DC 5V	20mA	20mA	3.0V	3.6V
White	DC 5V	20mA	20mA	3.0V	3.6V

For the specification about the other LEDs, please contact with sales department

## » Product selection

### PB 6131



UPPER	LOWER
FUNCTIO	
A	Alternate
B	Momentary with click

UPPER	LOWER
LED COLOR	
1	Red
2	Yellow
3	Green
4	Blue
5	White
6	Pure Green
8	Amber
9	Blue Green
10	Pink
011	Purple
12	Red/Yellow
13	Red/Green
14	Red/Blue
23	Yellow/Green
48	Blue/Amber
52	White/Yellow
58	White/Amber
-	Non-LED

UPPER CAP COLOR	
1	Misty Silver
2	Bright Silver
3	Gold
4	White
5	Bright Black
6	Red
7	Misty Black
8	Sky blue
9	Gunmetal black
A	Orange

LOWER CAP COLOR	
1	Misty Silver
2	Bright Silver
3	Gold
4	White
5	Bright Black
6	Red
7	Misty Black
8	Sky blue
9	Gunmetal black
A	Orange

UPPER LASER ETCHING			
01	⏻	06	⬆
02	○	07	⬇
03	OK	08	⊙
04	⇒	09	⊙
05	⇐	10	▲

LOWER LASER ETCHING			
01	⏻	06	⬆
02	○	07	⬇
03	OK	08	⊙
04	⇒	09	⊙
05	⇐	10	▲

Please inquire about the details with our sales representative.

Please inquire about the details with our sales representative.

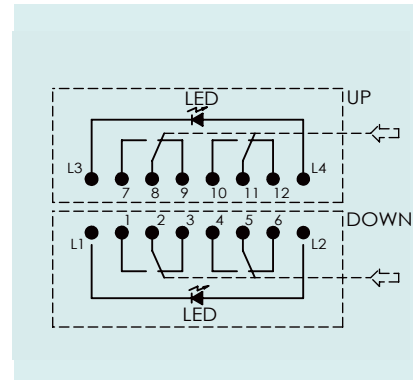
# PB613 SERIES

LED ILLUMINATED PUSH BUTTON SWITCH



## » Circuit

Type	Switch Action			
PB613A	Normal ON		Push to lock ON	
Connecting Terminal	2-3 5-6	8-9 11-12	1-2 4-5	7-8 10-11
PB613B	Normal ON		Push (ON)	
Connecting Terminal	2-3 5-6	8-9 11-12	1-2 4-5	7-8 10-11
LED Circuit				



## » Operating characteristics

Unit: mm

Dimensions

P.C.B Layout

## PB6131 RFIL-33-577-5170

