

# PB613 SERIES

LED ILLUMINATED PUSH BUTTON SWITCH



## » Features

- Precise design terminal type adequate for DIP IC pitch size (multiple of 2.54mm).
- Epoxy sealing treatment, free of flux entry.
- Several LED colors options.
- Several cap legends options.
- Customized cap and legend are available.



## » Applications

- Operating switches in all types of electronic equipment such as audio apparatus, office equipment, communications apparatus, TV sets, VCRs, etc.

## » Specifications

|                       |                                    |
|-----------------------|------------------------------------|
| Rating                | 0.1A 30VDC                         |
| Insulation Resistance | 100MΩ Min (at 500 VDC)             |
| Dielectric Strength   | AC 500V (50/60 Hz for 1 minute)    |
| Contact Resistance    | 50mΩ Max. (Initial)                |
| Electrically Life     | 10,000 Cycles Min                  |
| Ambient Temperature   | -10°C~ +80°C                       |
| Operating Force       | 150 ± 100gf (Momentary)            |
|                       | 250 ± 100gf (Alternate)            |
|                       | 200 ± 100gf (Momentary With Click) |

## » LED Specifications

| Color  | VR    | IF   | Recommended Operating Current | VF   |      |
|--------|-------|------|-------------------------------|------|------|
|        |       |      |                               | Nor  | Max  |
| Red    | DC 5V | 20mA | 20mA                          | 1.7V | 2.4V |
| Green  | DC 5V | 20mA | 20mA                          | 1.9V | 2.4V |
| Yellow | DC 5V | 20mA | 20mA                          | 1.9V | 2.4V |
| Blue   | DC 5V | 20mA | 20mA                          | 3.0V | 3.6V |
| White  | DC 5V | 20mA | 20mA                          | 3.0V | 3.6V |

For the specification about the other LEDs, please contact the sales department

## » Product selection

### PB 613

| BUTTON TYPE |  | FUNCTION |                      | LED |         | FRAME |            | LED COLOR |         | CAP COLOR |                | LASER ETCHING |  |
|-------------|--|----------|----------------------|-----|---------|-------|------------|-----------|---------|-----------|----------------|---------------|--|
| 1F          |  | A        | Alternate            | -   | Non-LED | -     | Without    | 1         |         | 1         | Misty Silver   | 01            |  |
| 2F          |  | B        | Momentary            | L   | LED     | F     | With frame | 2         |         | 2         | Bright Silver  | 02            |  |
| 3F          |  | C        | Momentary with click |     |         |       |            | 3         |         | 3         | Gold           | 03            |  |
| 4F          |  |          |                      |     |         |       |            | 4         |         | 4         | White          | 04            |  |
| 5F          |  |          |                      |     |         |       |            | 5         |         | 5         | Bright Black   | 05            |  |
| 6F          |  |          |                      |     |         |       |            | 6         |         | 6         | Red            | 06            |  |
| 01          |  |          |                      |     |         |       |            | 8         |         | 7         | Misty Black    | 07            |  |
| 02          |  |          |                      |     |         |       |            | 9         |         | 8         | Sky blue       | 08            |  |
| 03          |  |          |                      |     |         |       |            | 10        |         | 9         | Gunmetal black | 09            |  |
| 04          |  |          |                      |     |         |       |            | 011       |         | A         | Orange         | 10            |  |
| 05          |  |          |                      |     |         |       |            | 12        |         |           |                |               |  |
| 07          |  |          |                      |     |         |       |            | 13        |         |           |                |               |  |
|             |  |          |                      |     |         |       |            | 14        |         |           |                |               |  |
|             |  |          |                      |     |         |       |            | 23        |         |           |                |               |  |
|             |  |          |                      |     |         |       |            | 48        |         |           |                |               |  |
|             |  |          |                      |     |         |       |            | 52        |         |           |                |               |  |
|             |  |          |                      |     |         |       |            | 58        |         |           |                |               |  |
|             |  |          |                      |     |         |       |            | -         | Non-LED |           |                |               |  |

Please inquire about the details with our sales representative.

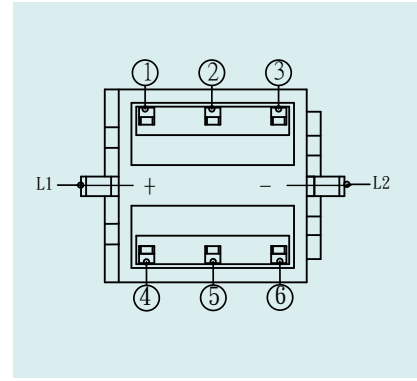
# PB613 SERIES

LED ILLUMINATED PUSH BUTTON SWITCH



## » Circuit

| Type                | Switch Action  |                 |  |
|---------------------|----------------|-----------------|--|
| PB613A              | Normal ON      | Push to lock ON |  |
| Connecting Terminal | 1 - 2<br>4 - 5 | 2 - 3<br>5 - 6  |  |
| PB613B              | Normal ON      | Push (ON)       |  |
| Connecting Terminal | 1 - 2<br>4 - 5 | 2 - 3<br>5 - 6  |  |
| LED Circuit         |                |                 |  |



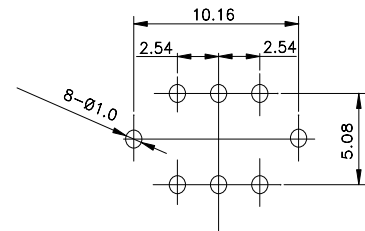
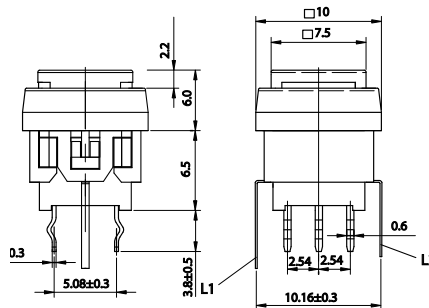
## » Operating characteristics

Unit: mm

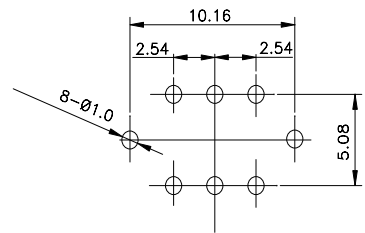
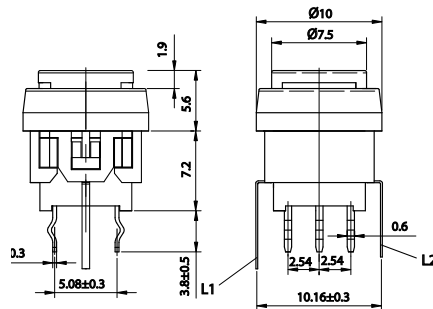
Dimensions

P.C.B Layout

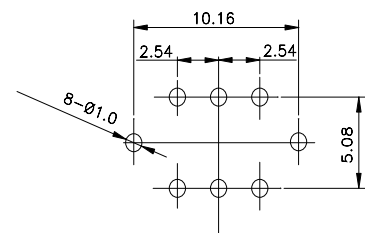
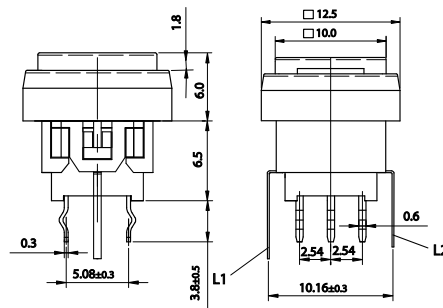
### PB6131F □ L



### PB6132F □ L



### PB6133F □ L



# PB613 SERIES

LED ILLUMINATED PUSH BUTTON SWITCH



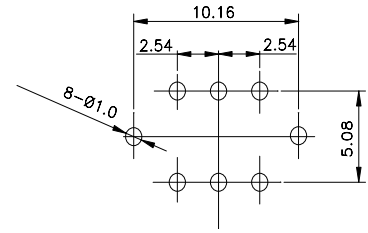
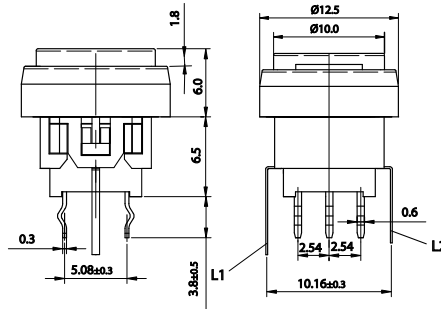
## » Operating characteristics

Unit: mm

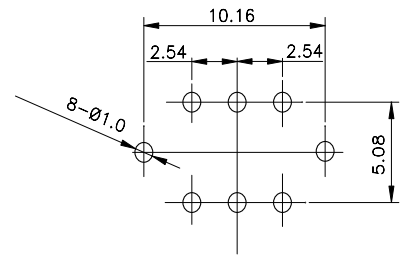
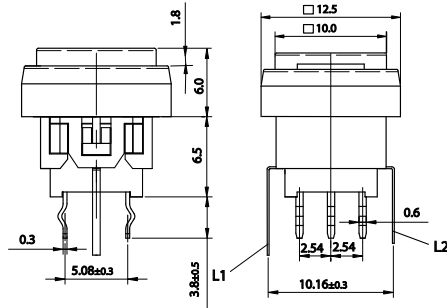
Dimensions

P.C.B Layout

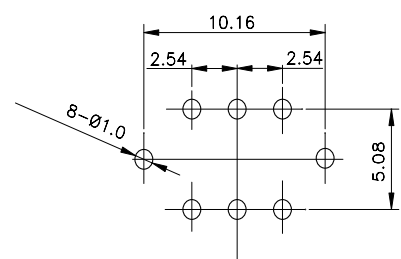
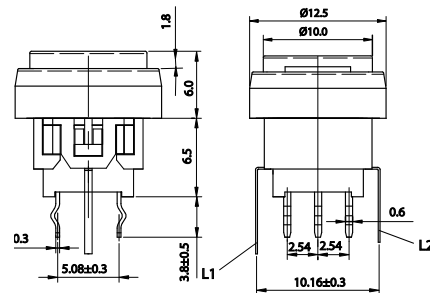
### PB6134F L



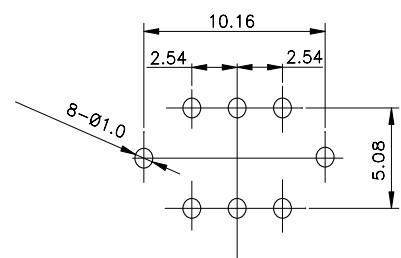
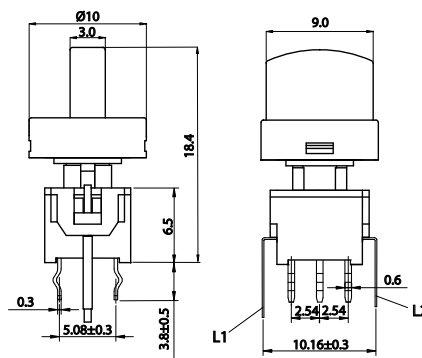
### PB6135F L



### PB6136F L



### PB61301 L



# PB613 SERIES

LED ILLUMINATED PUSH BUTTON SWITCH



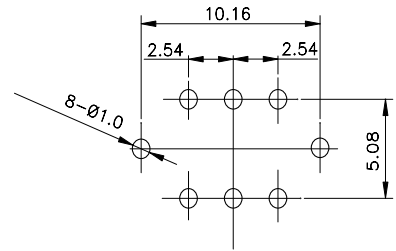
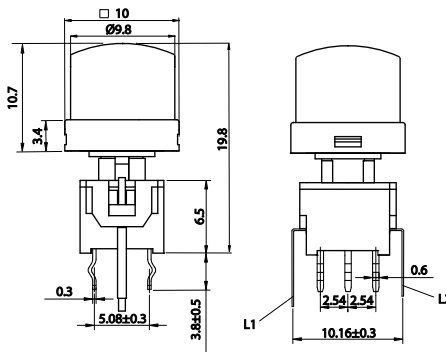
## » Operating characteristics

Unit: mm

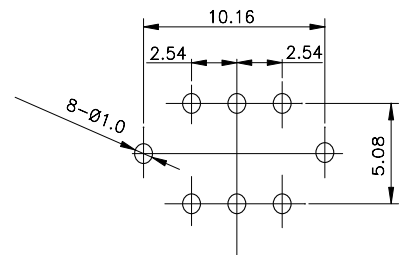
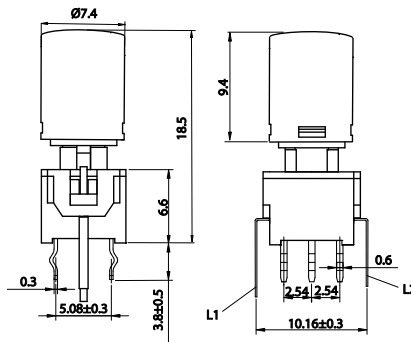
Dimensions

P.C.B Layout

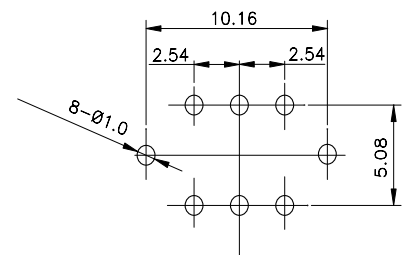
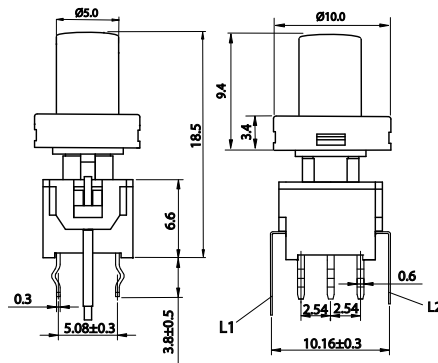
### PB61302 □ L



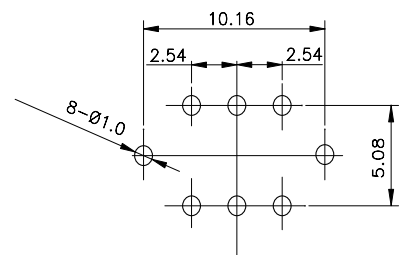
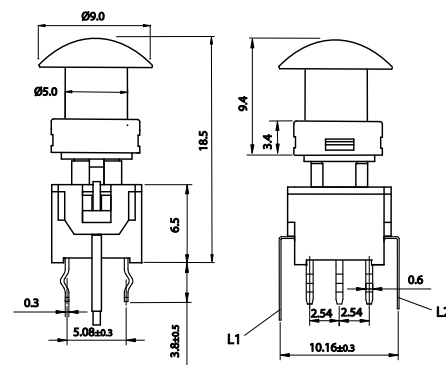
### PB61303 □ L



### PB61304 □ L



### PB61305 □ L



# PB613 SERIES

LED ILLUMINATED PUSH BUTTON SWITCH



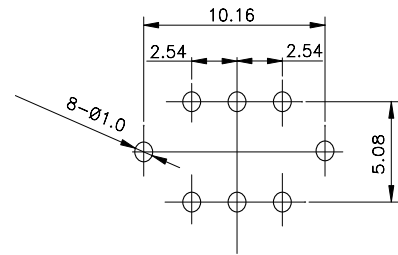
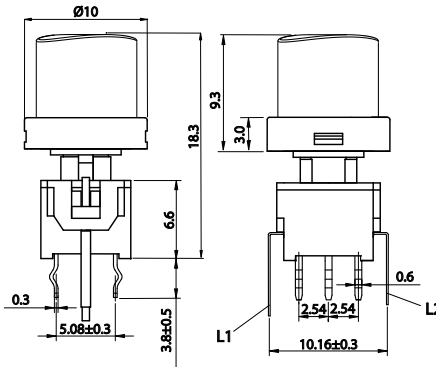
## » Operating characteristics

Unit: mm

Dimensions

P.C.B Layout

### PB61307 □ L



### PB6131 □ F2L

