

# PB617 SERIES

LED ILLUMINATED TACT SWITCH

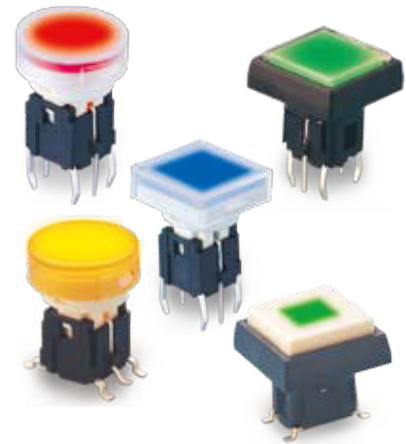


## » Features

- Metal dome and rubber dome options.
- Precise design terminal type adequate for DIP IC pitch size (multiple of 2.54mm).
- Adequate for DIP & SMT.
- Several LED colors options.
- Several traveling force options.
- Several cap legends options.

## » Applications

- Operating switches in all types of electronic equipment such as audio apparatus, office equipment, communications apparatus, TV sets, VCRs, etc.



## » Specifications

SERIES	PB617	PB627	PB637	TP647
Rating	50mA 48VDC	10mA 12VDC	50mA 48VDC	50mA 12VDC
Insulation Resistance	100MΩ Min (at 500 VDC)	100MΩ Min (at 500 VDC)	100MΩ Min (at 500 VDC)	100MΩ Min (at 500 VDC)
Dielectric Strength	AC 250V (50/60 Hz for 1 minute)	AC 250V (50/60 Hz for 1 minute)	AC 250V (50/60 Hz for 1 minute)	AC 250V (50/60 Hz for 1 minute)
Contact Resistance	100mΩ Max. (Initial)	500mΩ Max. (Initial)	100mΩ Max. (Initial)	20mΩ Max. (Initial)
Electrically Life	300,000 Cycles Min	100,000 Cycles Min	300,000 Cycles Min	100,000 Cycles Min
Ambient Temperature	-20°C~ +70°C	-20°C~ +70°C	-20°C~ +70°C	-20°C~ +70°C
Total Travel	0.25 ± 0.1mm	1.0 ± 0.2mm	0.6 ± 0.2mm	1.0mm Min
Operating Force	160 ± 50gf	100 ± 40gf	250 ± 50gf	200gf Min
	100 ± 30gf			
	250 ± 50gf			

## » Product selection

**PB** [ ] - [ ] - [ ] - [ ]

SPRING MATERIAL	
617	Metal Dome
627	Rubber Dome
637	Metal Dome
647	Low Resistance Rubber Dome

FUNCTION	
Non-LED	
	Standard type
M	SMT type
LED	
L	Standard type
ML	SMT type

CAP COLOR	
1	Misty Silver
2	Bright Silver
3	Gold
4	White
5	Bright Black
6	Red
7	Misty Black
8	Sky blue
9	Gunmetal black
A	Orange

LASER ETCHING	
01	⏻
02	○
03	OK
04	➡
05	⬅
06	↑
07	↓
08	⊙
09	●
10	▲

BUTTON TYPE	
1F	
1	
2	
3F	
11F	
12F	

LED COLOR	
1	Red
2	Yellow
3	Green
4	Blue
5	White
6	Pure Green
8	Amber
9	Blue Green
10	Pink
011	Purple
12	Red/Yellow
13	Red/Green
14	Red/Blue
23	Yellow/Green
48	Blue/Amber
52	White/Yellow
58	White/Amber
-	Non-LED

Please inquire about the details with our sales representative.

# PB617 SERIES

LED ILLUMINATED TACT SWITCH



## » LED Specifications

Color	VR	IF	Recommended Operating Current	VF	
				Nor	Max
Red	DC 5V	20mA	20mA	1.7V	2.4V
Green	DC 5V	20mA	20mA	1.9V	2.4V
Yellow	DC 5V	20mA	20mA	1.9V	2.4V
Blue	DC 5V	20mA	20mA	3.0V	3.6V
White	DC 5V	20mA	20mA	3.0V	3.6V

For the specification about the other LEDs, please contact with sales department

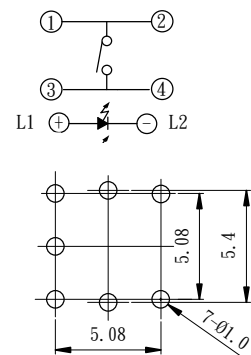
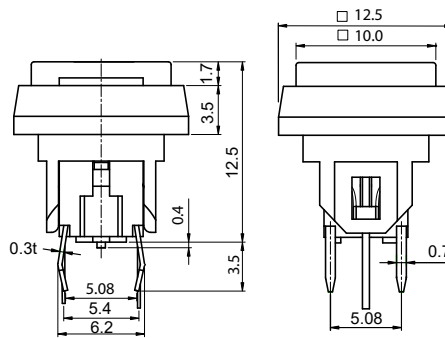
## » Operating characteristics

Unit: mm

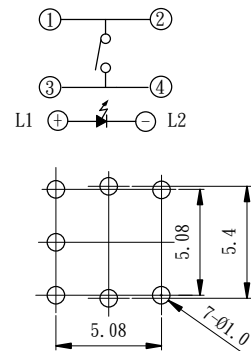
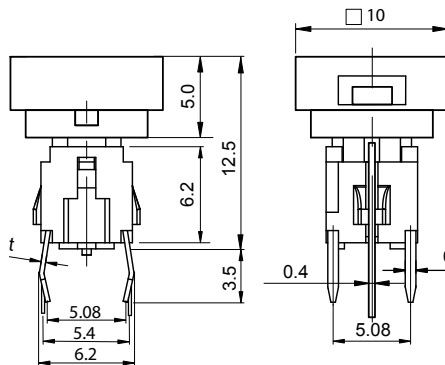
Dimensions

P.C.B Layout

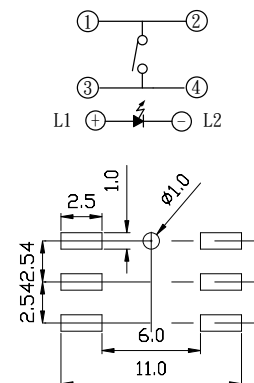
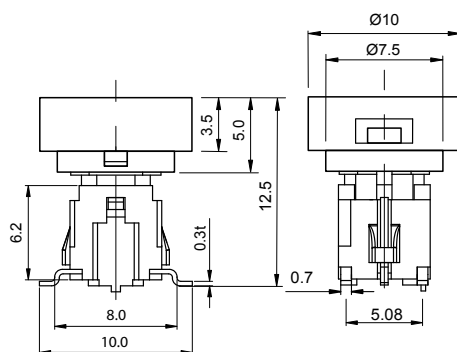
### PB6171FL (Metal) PB6271FL (Rubber)



### PB6171L (Metal) PB6271L (Rubber)



### PB6172ML (Metal) PB6272ML (Rubber)



# PB617 SERIES

LED ILLUMINATED TACT SWITCH



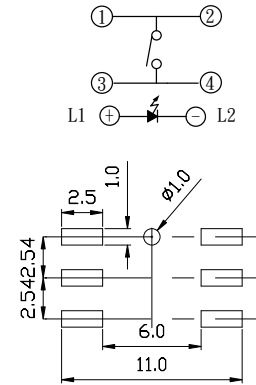
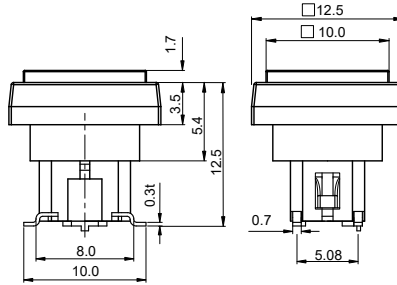
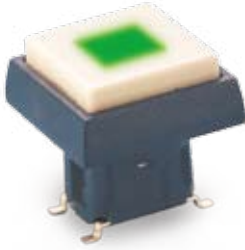
## » Operating characteristics

Unit: mm

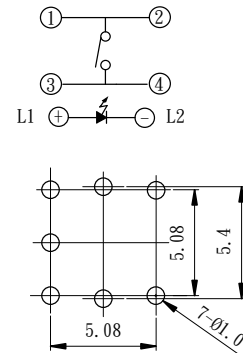
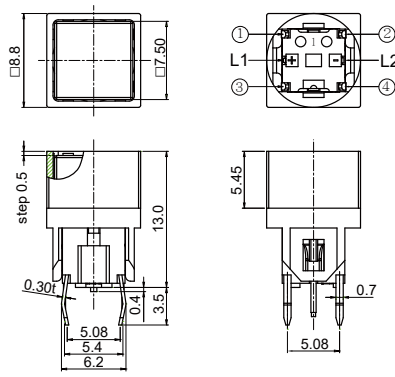
### Dimensions

### P.C.B Layout

**PB6173FM**(Metal )  
**PB6273FM**(Rubber)



**PB61711FL**(Metal )  
**PB62711FL**(Rubber)



**PB6172FL**(Metal )  
**PB6272FL**(Rubber)

