

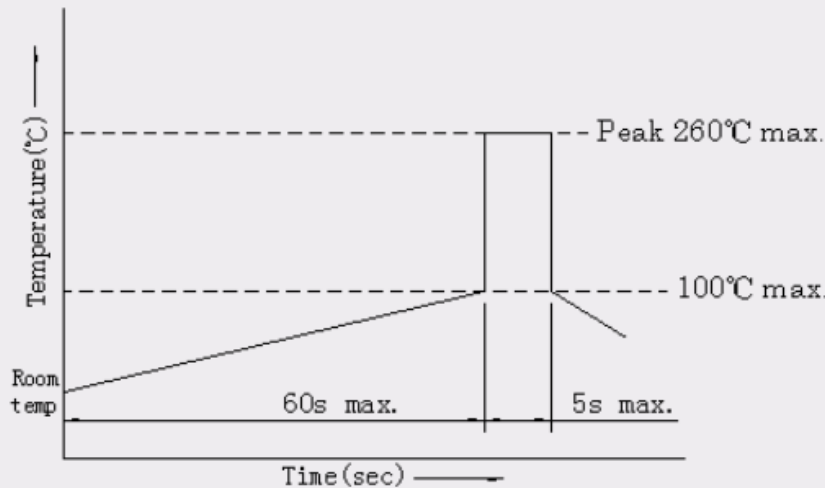
PS909 SERIES

Miniaturised Push Button Switch



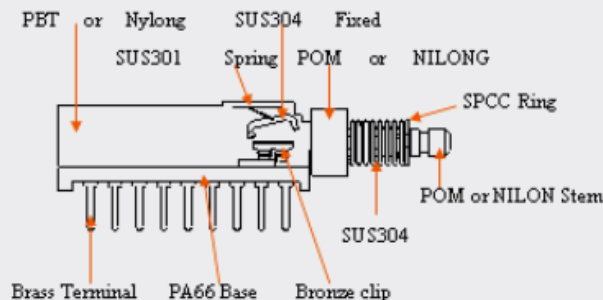
SPECIFICATION

Mechanical life: 30,000 cycles min
 Electrical life: 10,000 cycles min
 Contact Rating: 0.1Amps @30 VDC
 Insulation Resistance: > 100MΩ DC250V
 Withstand Voltage: AC250V 1 minute
 Contact Resistance: < 100mΩ
 Ambient Humidity: < 85%RH
 Operating Temper.: -20°C to 70°C
 Operating Force: 2 Pole:230±50gf, 4 Pole:280±50gf, 6 Pole:380±50gf
 Soldering process: Hand Soldering: Use a soldering iron of 30 watts, controlled at 380°C approximately 3 seconds while applying solder
 Wave soldering: When applying reflow soldering, the peak temperature of the reflow Oven should be set to 240°Cmax. On dition for soldering (Reflow & Non-washable Type) Temperature Profile:



Items	Condition
Preheating temperature	Ambient temperature of the soldered surface of PC board.100°C max.
Preheating time	60s max.
Soldering temperature	260°C max.
Continuous dipping time	5s max.
Number of soldering	2 times max.

MATERIALS



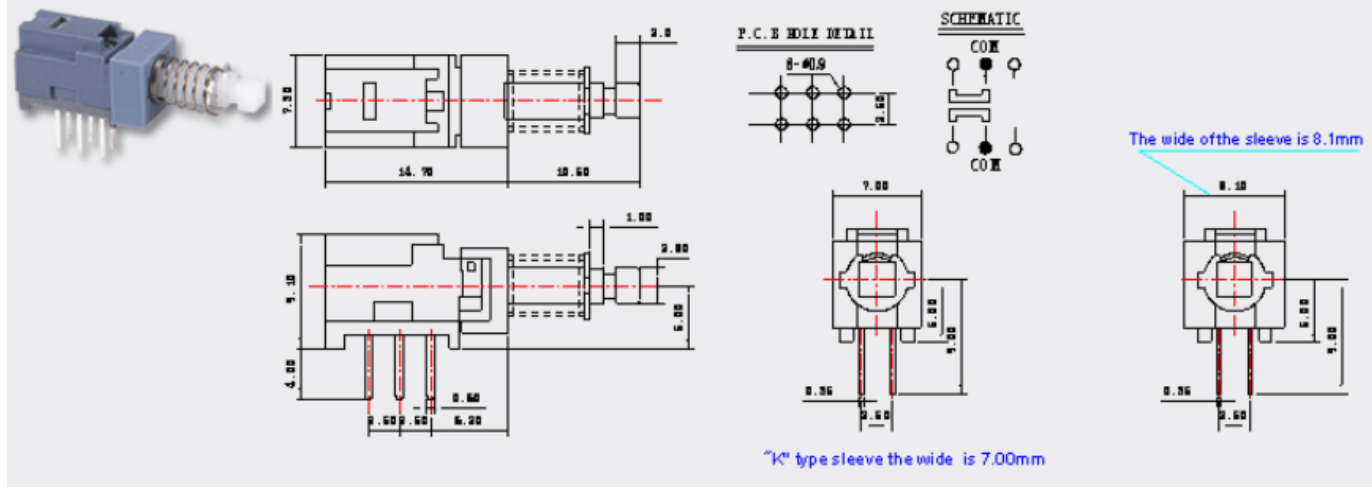
Case: High Temperature PBT or NYLON (UL94 V-0)
 Base: High Temperature NILONG (UL94 V-0)
 Stem: High Temperature NYLON (UL94 V-0) or POM
 Sleeve: High Temperature NYLON (UL94 V-0) or POM
 Terminals: Brass(Plating silver)
 Ring:SPCC
 Spring plate: SUS301
 Clip: C5210
 Spring: SUS304
 Fixed Rod: SUS304

PS909 SERIES

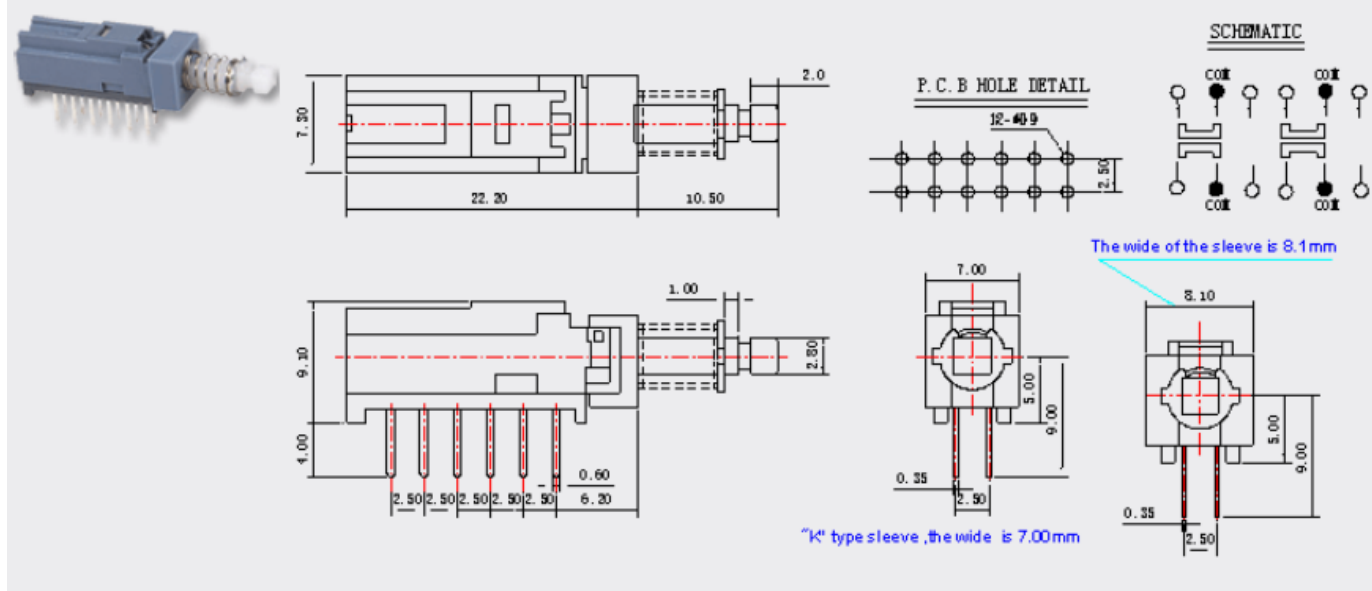
Miniaturised Push Button Switch



DIMENSION DRAWING of PS909L/NN-22 (mm)



DIMENSION DRAWING of PS909L/NN-42 (mm)



DIMENSION DRAWING of PS909L/NN-62 (mm)

