

R4 SERIES

ROCKER SWITCH



SPECIFICATIONS

Electrical rating : 20A 125VAC/16A 250VAC (UL)
16A 250VAC (VDE)

Mechanical life: Over 30000 cycles

Electrical life: Over 10000 cycles

Contact resistance: <20mΩ

Insulation resistance: > 1000MΩ

High voltage resistance: > 1500V 1 min.

Ambient temperature: Terminal side -20°C to 85°C
Actuating side -20°C to 55°C

Storage temperature: -30°C to 80°C Max

Atmospheric humidity: Max.85%

Actuating force: 4~8N (depends on different switch function)

Flammability: UL94 V-2

Temperature rise at the terminal: Max 30°C (UL1054)

Solder ability of terminal: Max 350°C, 3s

MATERIALS

Housing: Nylon 66

Rocker: PC & PA66

Contacts: Silver alloy

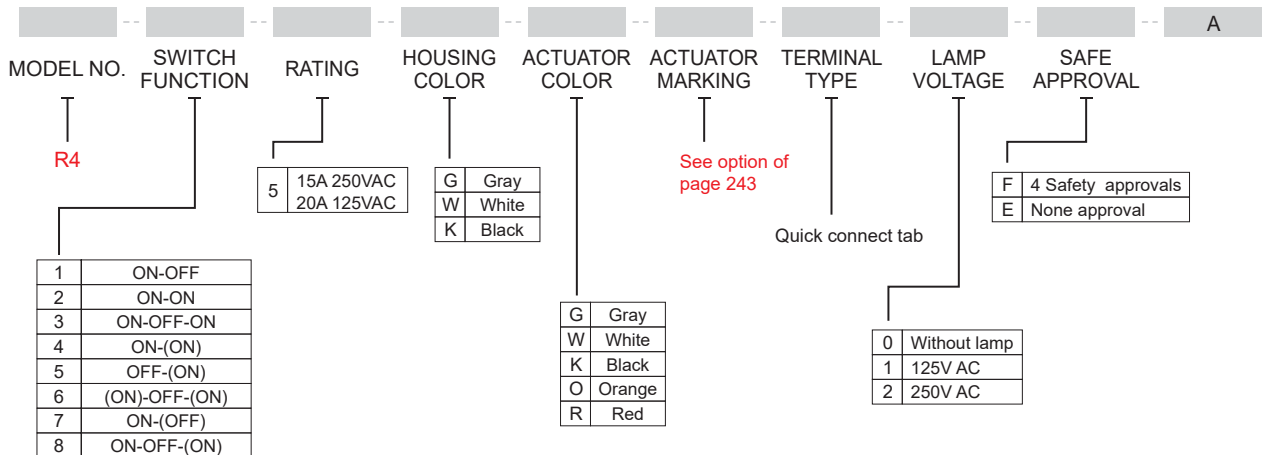
Terminal: Brass silver plated

Lamp: Neon lamp

Spring: SWP, SUS

Movable arm: Brass silver plated

HOW TO ORDER

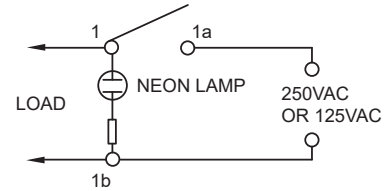


OPTIONS OF SWITCH FUNCTION

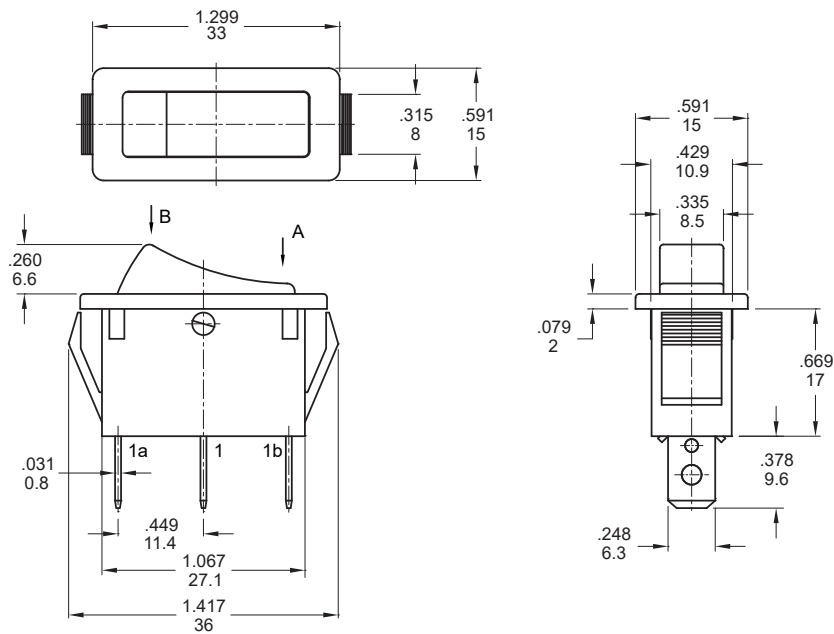
Item NO	POLES & THROWS	Rocker position (): Momentary		
		Left	Center	Right
R41	SPST	ON	None	OFF
R42	SPDT	ON	None	ON
R43	SPDT	ON	OFF	ON
R44	SPDT	ON	None	(ON)
R45	SPST	OFF	None	(ON)
R46	SPDT	(ON)	OFF	(ON)
R47	SPST	ON	None	(OFF)
R48	SPDT	ON	OFF	(ON)

CIRCUITS FOR SWITCH WITH LAMP

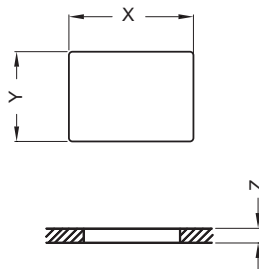
For circuit of 250VAC or 125VAC



▼ DIMENSION



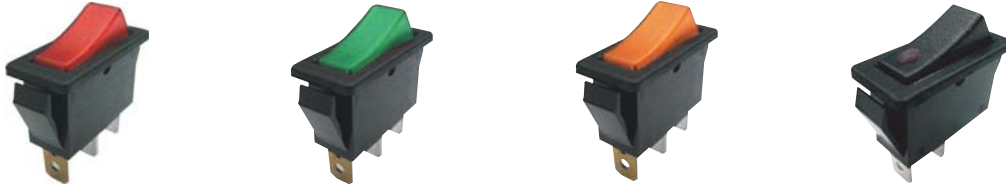
PANEL CUT OUT



Z	Y	X
0.70~1.25	11.10~11.20	29.60~29.70
1.25~2.00	11.10~11.20	30.10~30.20
2.00~3.00	11.10~11.20	30.45~30.55

R4 SERIES

ROCKER SWITCH



FOR ROCKER SWITCHES

 A	 B	 C	 D	 E	 F	 G	 H	 I
 J	 K	 L	 M	 N	 O	 P	 Q	 S
 T	 U	 V	 W	 X	 Y	 Z	 1A	 1B
 1C	 1D	 1E	 1F	 1G	 1H	 1I	 1J	 1K
 1L	 1M	 1N	 1O	 1P	 1Q	 1R	 1S	 1T
 1U	 1V	 1W	 1Y	 1Z	 2A	 2B	 2C	 2D
 2E	 2F	 2G	 2H	 2I	 2J	 2K		