

R5 SERIES

ROCKER SWITCH



SPECIFICATIONS

Electrical rating : 20A 125VAC/16A 250VAC (UL)
16A 250VAC (VDE)

Mechanical life: Over 30000 cycles

Electrical life: Over 10000 cycles

Contact resistance: < 20mΩ

Insulation resistance: > 1000MΩ

High voltage resistance: > 1500V 1 min.

Ambient temperature: Terminal side -20°C to 85°C
Actuating side -20°C to 55°C

Storage temperature: -30°C to 80°C Max

Atmospheric humidity: Max.85%

Actuating force: 4~8N (depends on different switch function)

Flammability: UL94 V-2

Temperature rise at the terminal: Max 30°C (UL1054)

Solder ability of terminal: Max 350°C, 3s



MATERIALS

Housing: Nylon 66

Rocker: PC & PA66

Contacts: Silver alloy

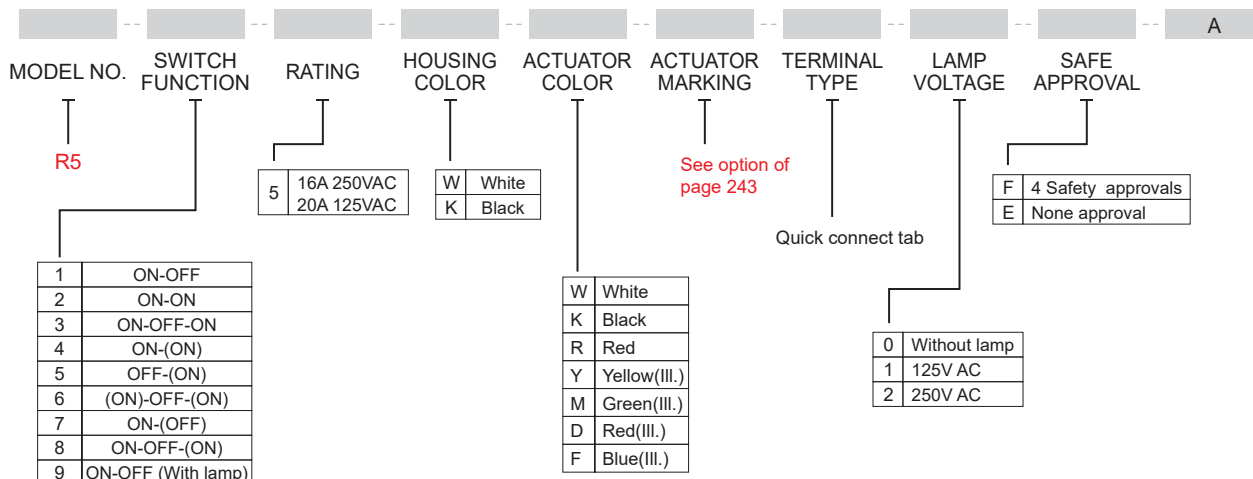
Terminal: Brass silver plated

Lamp: Neon lamp

Spring: SWP, SUS

Movable arm: Brass silver plated

HOW TO ORDER



R5 SERIES

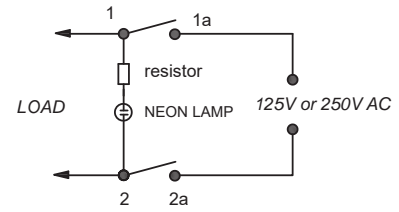
ROCKER SWITCH



▼ OPTIONS OF SWITCH FUNCTION

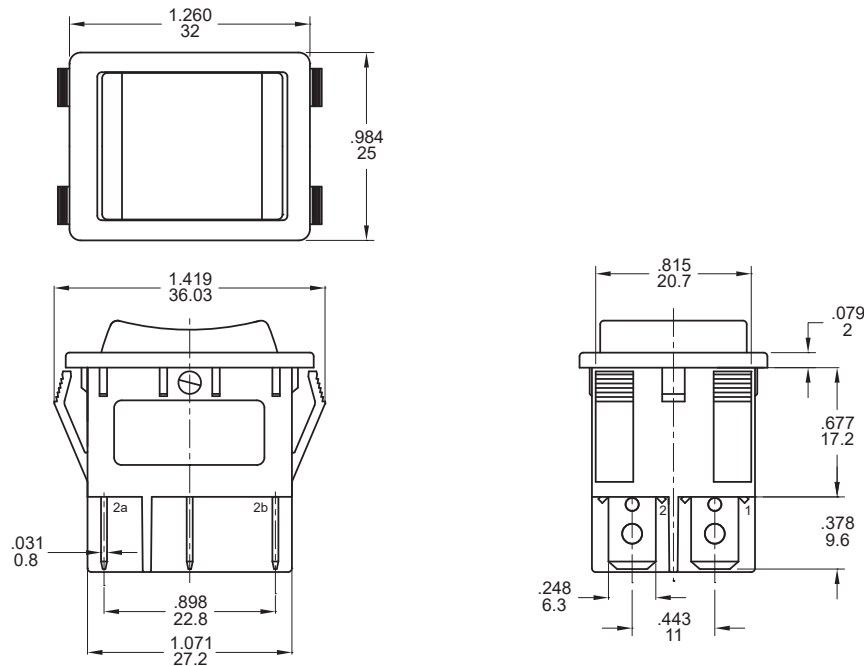
Item NO	POLES & THROWS	Rocker position (): Momentary		
		Left	Center	Right
R51	DPST	ON	None	OFF
R52	DPDT	ON	None	ON
R53	DPDT	ON	OFF	ON
R54	DPDT	ON	None	(ON)
R55	DPST	OFF	None	(ON)
R56	DPDT	(ON)	OFF	(ON)
R57	DPST	ON	None	(OFF)
R58	DPDT	ON	OFF	(ON)
R59	DPST (With lamp)	ON	None	OFF

CIRCUITS FOR SWITCH WITH LAMP
For circuit of 250V AC or 125V AC

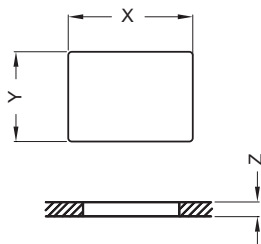


CIRCUIT OF SWITCH

▼ DIMENSION



▼ PANEL CUT OUT



Z	Y	X
0.70~1.25	22.20~22.30	30.0~30.20
1.25~2.00	22.20~22.30	30.2~30.40
2.00~3.00	22.20~22.30	30.6~30.80



R5 SERIES

ROCKER SWITCH



▼ FOR ROCKER SWITCHES

 A	 B	 C	 D	 E	 F	 G	 H	 I
 J	 K	 L	 M	 N	 O	 P	 Q	 S
 T	 U	 V	 W	 X	 Y	 Z	 1A	 1B
 1C	 1D	 1E	 1F	 1G	 1H	 1I	 1J	 1K
 1L	 1M	 1N	 1O	 1P	 1Q	 1R	 1S	 1T
 1U	 1V	 1W	 1Y	 1Z	 2A	 2B	 2C	 2D
 2E	 2F	 2G	 2H	 2I	 2J	 2K		