

R6 SERIES

ROCKER SWITCH



SPECIFICATIONS

Electrical rating : 6A 250VAC/10A 125VAC (UL)
4(1)A 250VAC (VDE)

Mechanical life: Over 30000 cycles

Electrical life: Over 10000 cycles

Contact resistance: < 20mΩ

Insulation resistance: > 1000MΩ

High voltage resistance: > 1500V 1 min.

Ambient temperature: Terminal side -20°C to +85°C
Actuating side -20°C to +55°C

Storage temperature: -30°C to +85°C Max

Atmospheric humidity: Max.85%

Actuating force: 4N

Flammability: UL94 V-2

Temperature rise at the terminal: Max 30°C (UL1054)

Solder ability of terminal: Max 350°C, 3s

MATERIALS

Housing: PA 66

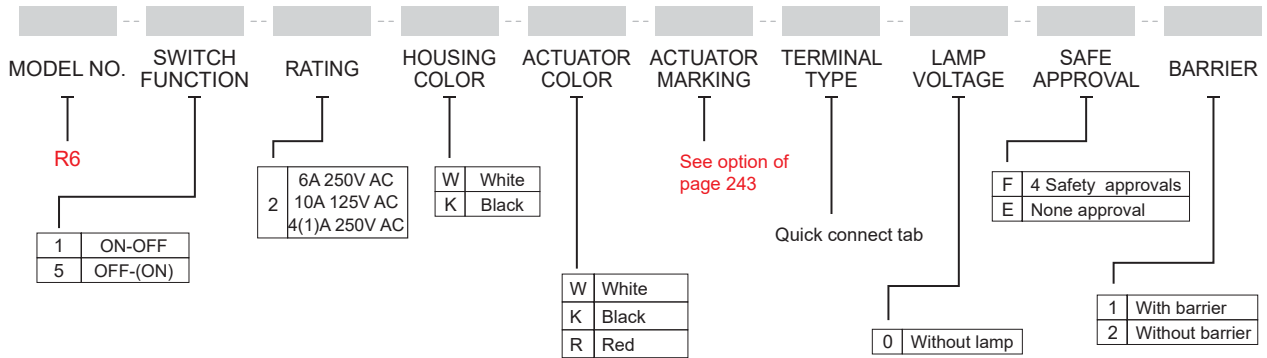
Rocker: PA66

Contacts: Silver alloy

Terminal: Brass silver platr

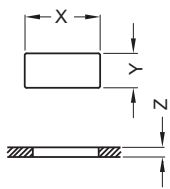
Movable arm: Copper silver plated

HOW TO ORDER

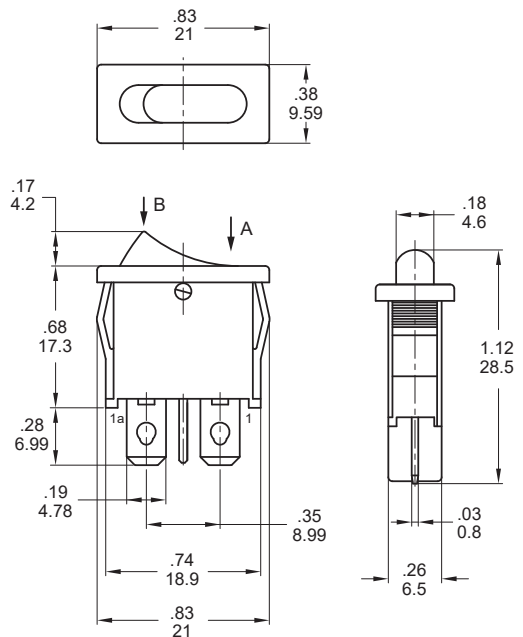


OPTIONS OF SWITCH FUNCTION & DIMENSION

Item NO	POLES & THROWS	Rocker position (): Momentary		
		Left	Center	Right
R61	SPST	ON	None	OFF
R65	SPST	(ON)	None	OFF



Z	Y	X
0.70~1.25	6.65~6.75	19.20~19.30
1.25~2.00	6.65~6.75	19.25~19.35
2.00~3.00	6.65~6.75	19.30~19.40



R6 SERIES

ROCKER SWITCH



▼ FOR ROCKER SWITCHES

 A	 B	 C	 D	 E	 F	 G	 H	 I
 J	 K	 L	 M	 N	 O	 P	 Q	 S
 T	 U	 V	 W	 X	 Y	 Z	 1A	 1B
 1C	 1D	 1E	 1F	 1G	 1H	 1I	 1J	 1K
 1L	 1M	 1N	 1O	 1P	 1Q	 1R	 1S	 1T
 1U	 1V	 1W	 1Y	 1Z	 2A	 2B	 2C	 2D
 2E	 2F	 2G	 2H	 2I	 2J	 2K		