

# RJS-TACT-D31-H

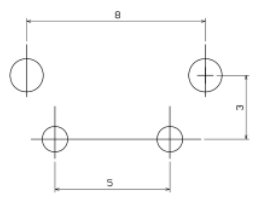
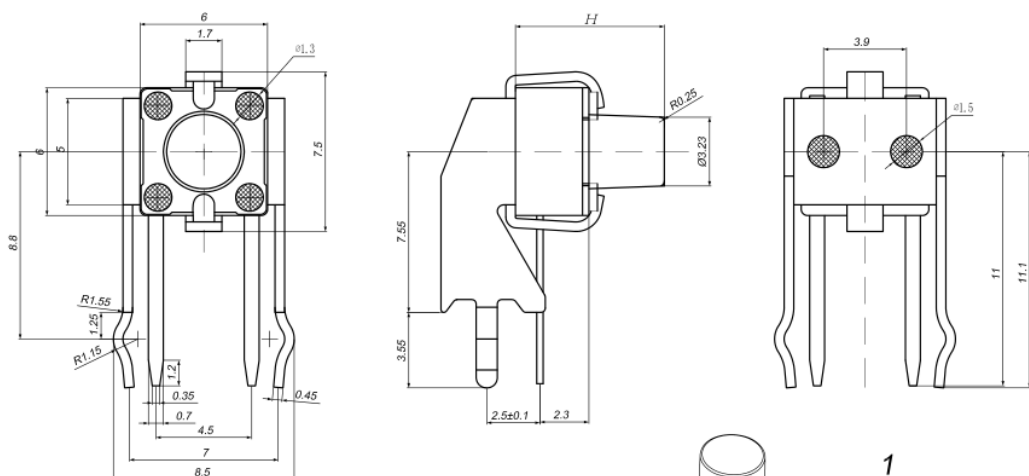
TACT SWITCH



On/off right angle tactile switch that is only on when the button is pressed or if there is a definitive change in pressure.

Used for circuit board, there are many different kinds of height for the switch knob, the standard height range is 4.3mm to 13mm.

Type:	Snap-in	Operating force:	0.98N
Operating Direction:	Top Push	Travel:	0.25mm
Operating Life:	Over 100,000 cycles	Initial contact resistance:	100mΩ max.
Stem color:	Black	Operating Temperature:	-40°C~+90°C
Stem height:	H=4.3-13mm	Series type:	right angle type
Rating (max.):	50mA 12V DC	Rating (min.):	10μA 1V DC
SPQ:	1,000pcs	OEM or ODM:	Available



Recommended P.C.B layout

