

RJS-TACT-D42-H-IP67

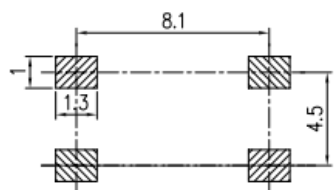
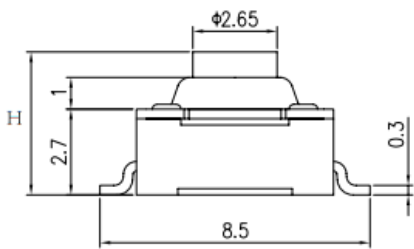
TACT SWITCH



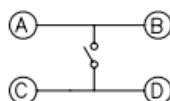
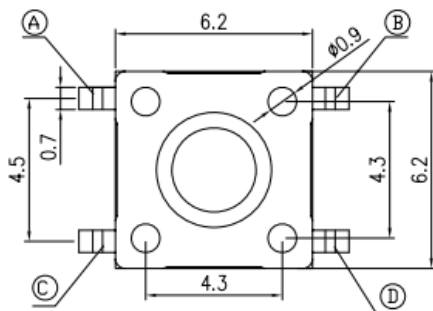
On/off smd tactile switch that is only on when the button is pressed or if there is a definitive change in pressure.

The Tactile Switch applications include: Low power, miniature devices, digital switching, anything where operator feedback is required (a switch confirmation coming from the switch being depressed) will find that the perfect choice is a Tactile switch.

Waterproof Degree:	IP67	Operating force:	180/250±30gf
Operating Direction:	Top Push	Travel:	0.25mm
Operating Life:	Over 100,000 cycles	Initial contact resistance:	100mΩ max.
Stem height:	H=4.3/5.0mm	Operating Temperature:	-25°C~+105°C
Rating (max.):	50mA 12V DC	Rating (min.):	10µA 1V DC
SPQ:	1,000pcs	OEM or ODM:	Available



Recommended P.C.B layout



SCHEMATIC

