

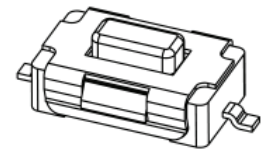
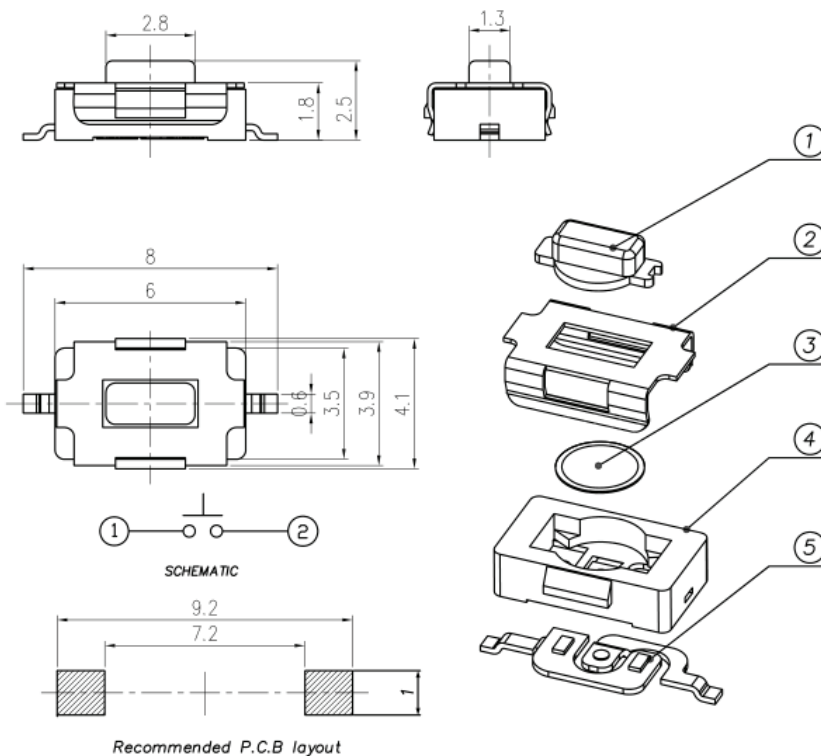
RJS-TACT-D6

TACT SWITCH



On/off electronic SMD switch button that is only on when the button is pressed or if there is a definitive change in pressure.

Type:	Snap-in	Operating force:	250±50gf
Operating Direction:	Top Push	Travel:	0.25mm
Operating Life:	Over 50,000 cycles	Initial contact resistance:	100mΩ max.
Stem color:	Silver	Operating Temperature:	-25°C~+105°C
Stem height:	H=2.5mm	Series type:	SMD type
Rating (max.):	50mA 12V DC	Rating (min.):	10µA 1V DC
SPQ:	1,000pcs	OEM or ODM:	Available



1. Rating:DC12V 50mA.
2. Travel:0.2±0.1mm.
3. Operating Force: 250±50gf.
4. Contact Resistance:100mΩ Max.
5. Life:50,000 Cycles Min.