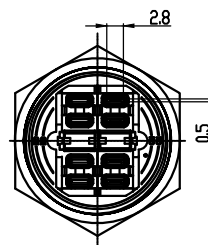
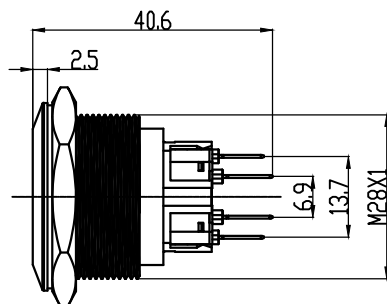
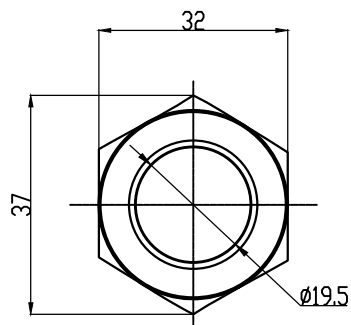
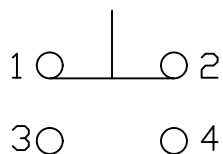


RJS103-28

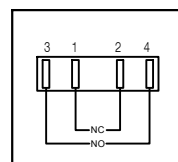
METAL PUSH BUTTON SWITCH



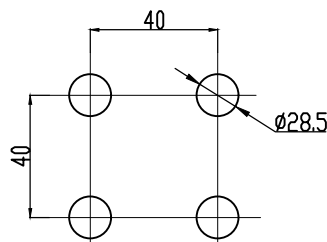
Rating: 5A 250VAC
Contact Resistance: 50mΩ MAX
Insulation Resistance: 100MΩ 500VDC
Dielectric Strength: 1000VAC rms
Electrical life: 100000 cycles
Operating Temperature: -30° C ~ 55° C .
Operating Pressure: 2N ~ 5N
Operating travel: 1.5mm ~ 2.5mm
Protection Grade: IP67
Soldering 300° C max. for 5 seconds
Function: OFF (ON)
Material
Shell: stainless steel
Nut: nickel plated brass
Button: 316 stainless steel
Base: PA66
Terminals: copper plating gold
Contact: silver tin oxide



Contact type



Switching Circuit



Install size