

RJSILLUME



A Handy Guide

To help you select the right Rotary Encoder for your project



Key Features

The RJSILLUME is our series of LED Illuminated Rotary Encoders

- Vertical or horizontal mounting
- Flat or knurled actuator
- Push button options
- With or without bushing



LED Options

Single Colour Illumination

This type of illumination displays a single LED colour.

Red | Lawn Green | Blue | Orange | White | Green
Dark Orange

Two Colour Illumination

These Encoders can seamlessly switch between two LED illumination colours.

Blue/Orange | Green/Red | Blue/Green | Red/Green | Green/Orange
Blue/Red | White/Red | White/Green

Three Colour Illumination

These Encoders can seamlessly switch between three LED illumination colours.

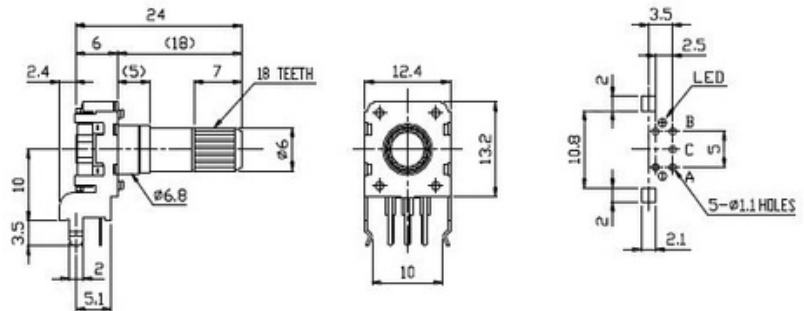
Red/Green/Blue

These encoders have high brightness for working in darkness, and a rotational life cycle of 30,000.

Single LED Illumination

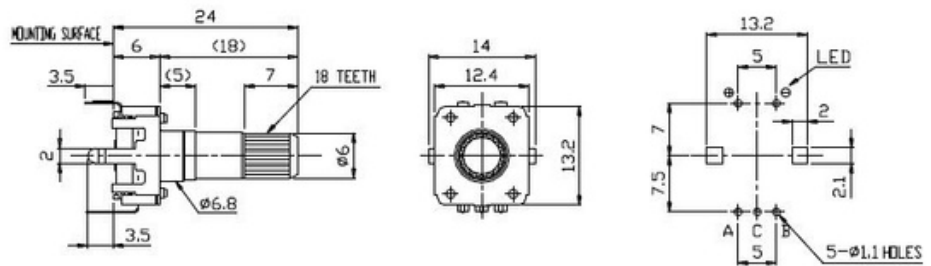
RJSILLUME-12S24202

Horizontal Type - Without Bushing



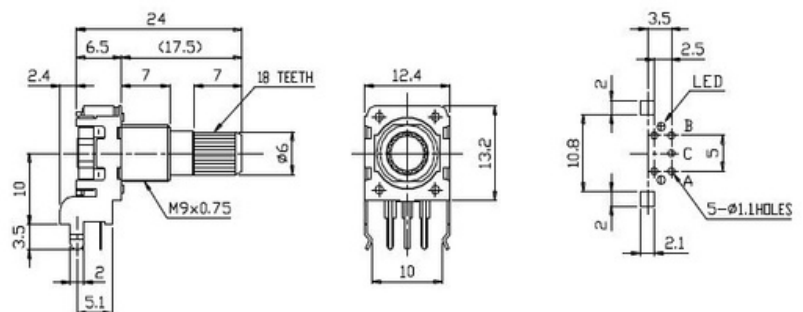
RJSILLUME-12S24204

Vertical Type - Without Bushing



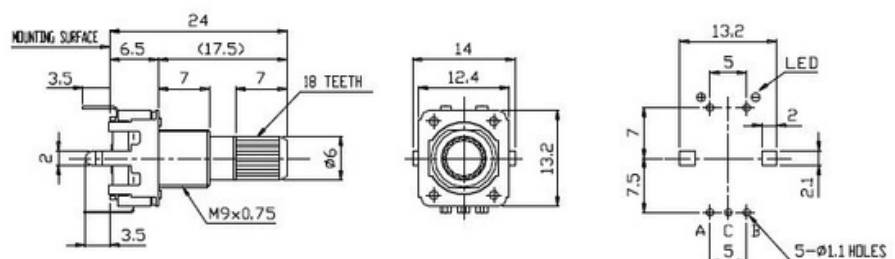
RJSILLUME-12S24207

Horizontal Type - With Bushing



RJSILLUME-12S24208

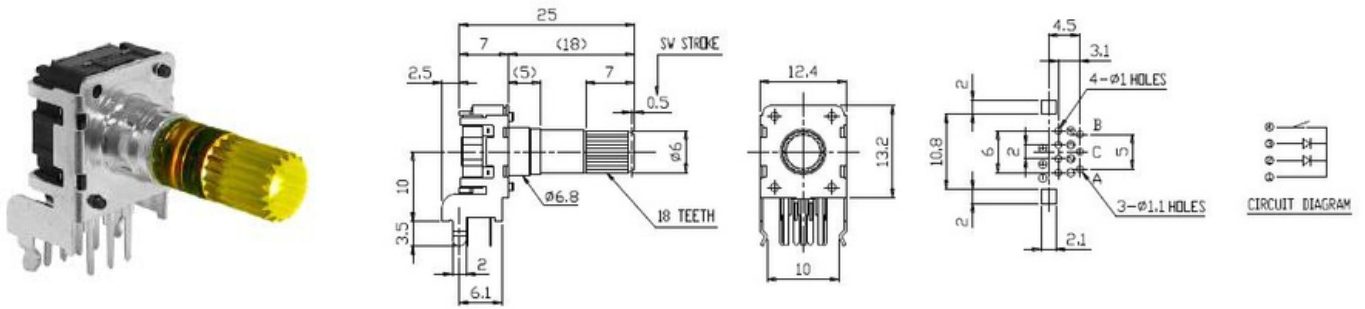
Vertical Type - With Bushing



Two Colour LED with Push Button

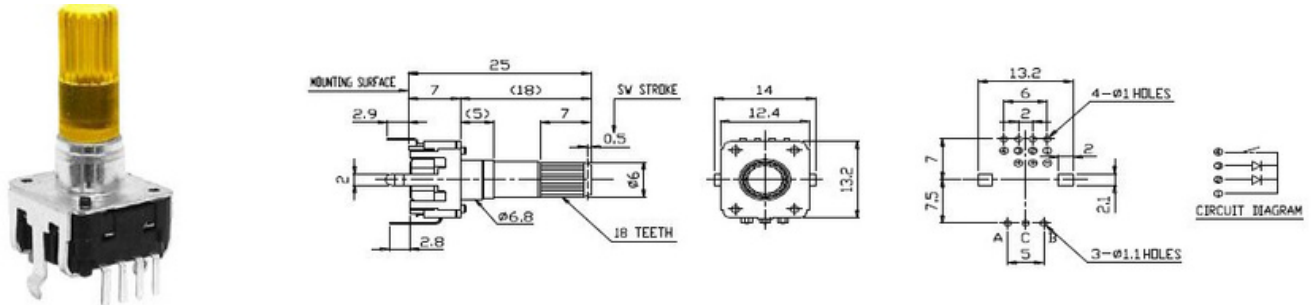
RJSILLUME-12S24212

Horizontal Type - Without Bushing



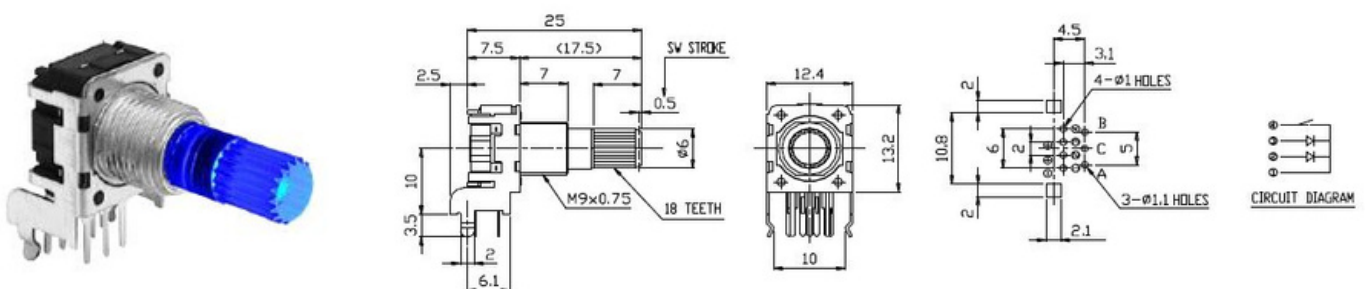
RJSILLUME-12S24214

Vertical Type - Without Bushing



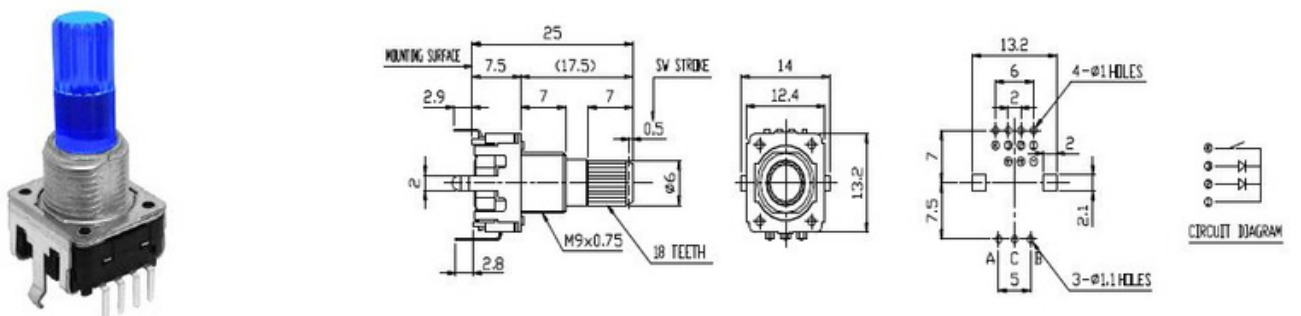
RJSILLUME-12S24217

Horizontal Type - With Bushing



RJSILLUME-12S24218

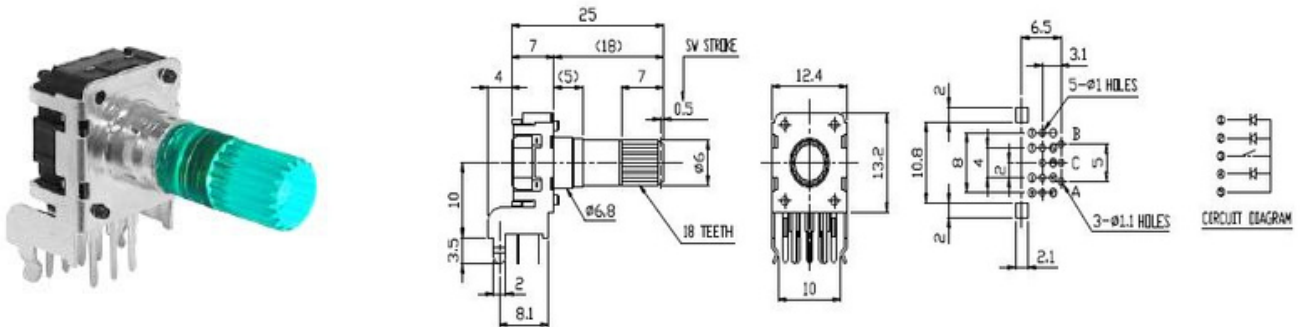
Vertical Type - With Bushing



Three Colour LED with Push Button

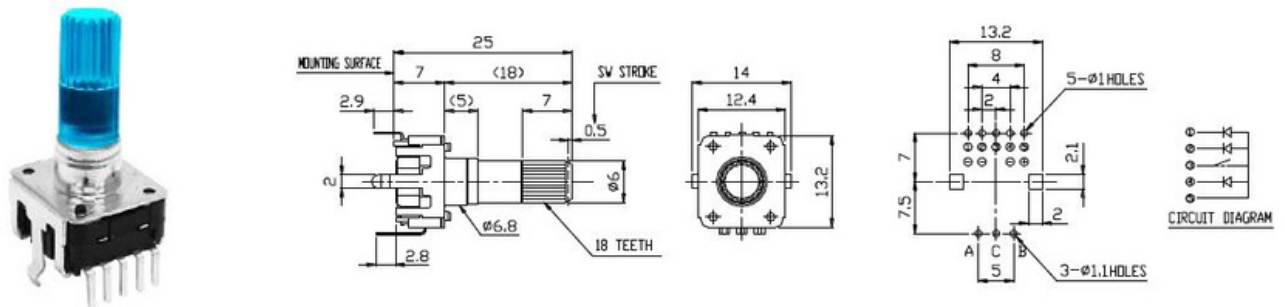
RJSILLUME-12S24212KM

Horizontal Type - Without Bushing



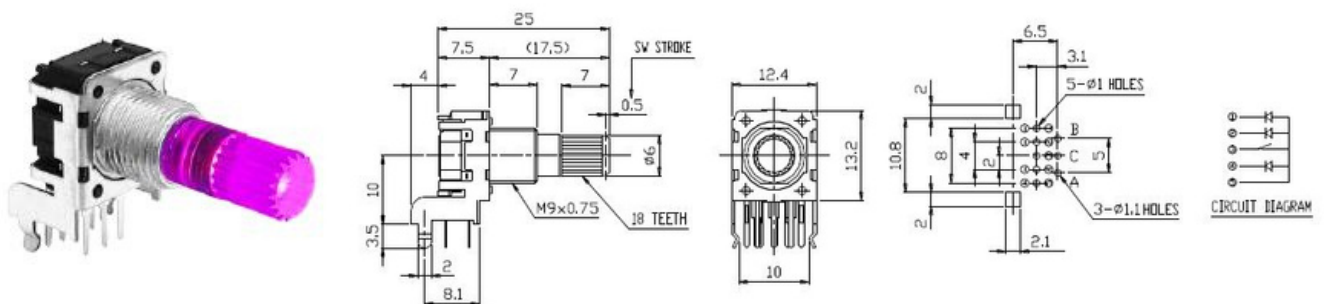
RJSILLUME-12S24214KM

Vertical Type - Without Bushing



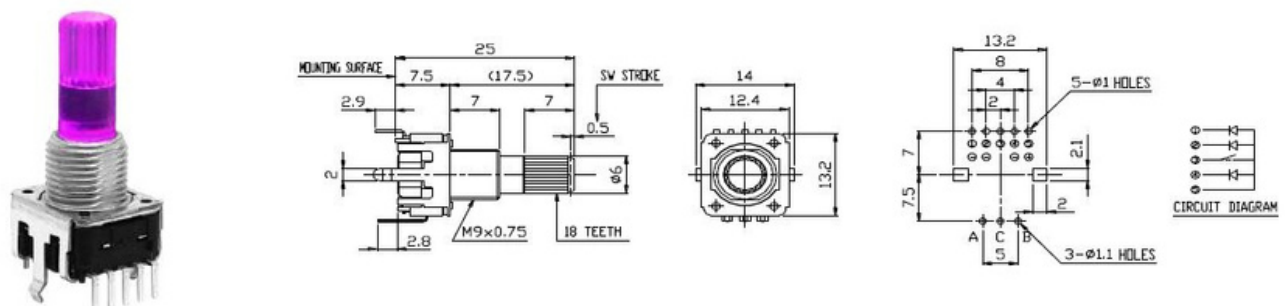
RJSILLUME-12S24217KM

Horizontal Type - With Bushing



RJSILLUME-12S24218KM

Vertical Type - With Bushing



Quick Links:

[RJSILLUME series](#)

[Encoders](#)

[All products](#)

Panel Mount Components

[Push Button Switches](#)

[Metal Push Button Switches](#)

[Plastic Push Button Switches](#)

[Indicators & Pilot Lights](#)

[Navigation Switches](#)

[Limit & Proximity Switches](#)

[Industrial Controls](#)

[Keylock & Selector Switches](#)

[Emergency Stop Switches](#)

[Buzzers](#)

[Exit Buttons & Devices](#)

[Touchless Infrared Switches](#)

[Rocker, Toggle & Foot Switches](#)

PCB Mount Components

[Push Button Switches](#)

[Toggle & Rocker Switches](#)

[DIP, Slide & Rotary Switches](#)

[Pots, Encoders & Knobs](#)

[Relays](#)

[LED Tactile Switches](#)

[Non Illuminated Tact Switches](#)