

RJSPS1622B SERIES

KEYLOCK SWITCH



■ Features

- Installation diameter: 16/22mm
- Degree of Protection: IP65
- Silver Plated contact: 3 μ
- Compact and could be separate design
- Momentary, Maintained, Selector
- LED Super bright LED cold light source lamp display
- Flush silhouette

■ Related certification

| Standard | |
|--------------------------|--|
| UL 508 | |
| EN60947-1 EN60947-5-1 | |
| GB 14048.5 | |

■ Specifications

| | |
|-------------------------|--|
| Degree of Protection | IP 65 Watertight /Oiltight |
| Contact Configuration | Single Pole, Double Pole |
| Maximum Voltage | 250V AC/DC |
| Thermal Current | 5A |
| Minimum Applicable Load | 5V AC/DC, 1mA |
| Contact Material | Gold-plated silver |
| Terminal Style | .110" Solder/Quick Connect |
| Operating Temperature | -25°C to +55°C |
| Operating Humidity | 45 to 85% RH |
| Contact Resistance | 50MΩ maximum |
| Insulation Resistance | 100MΩ minimum (500V DC megger) |
| Vibration Resistance | 10 to 55Hz, amplitude 1.2mm p-p |
| Degree of Protection | >10g |
| Electrical Life | 100,000 operations minimum (at full rated load) |
| Mechanical Life | Maintained: 1,000,000 operations minimum Momentary: 1,000,000 operations minimum Selector/Keylock: 250,000 operations minimum |
| Dielectric Strength | Switch Unit: 2,000V AC, 1min. between live/dead part and terminals of different poles; 1,000V AC, 1 minute between terminals of the same pole; 1,500V AC, 1 minute between contact and lamp terminals. Illumination Unit: 2,000V AC, 1min. between live Part/ground |
| Soldering Temperature | 20W/5 Seconds or 260C/3 seconds |

■ Contact Ratings

| Working voltage | | 24V | 110V | 220V |
|-----------------|-----------|------|------|------|
| AC (50/60Hz) | Resistive | — | 1.0A | 0.5A |
| | Inductive | — | 0.7A | 0.5A |
| DC | Resistive | 1.0A | 0.2A | — |
| | Inductive | 0.7A | 0.1A | — |

■ LED Ratings

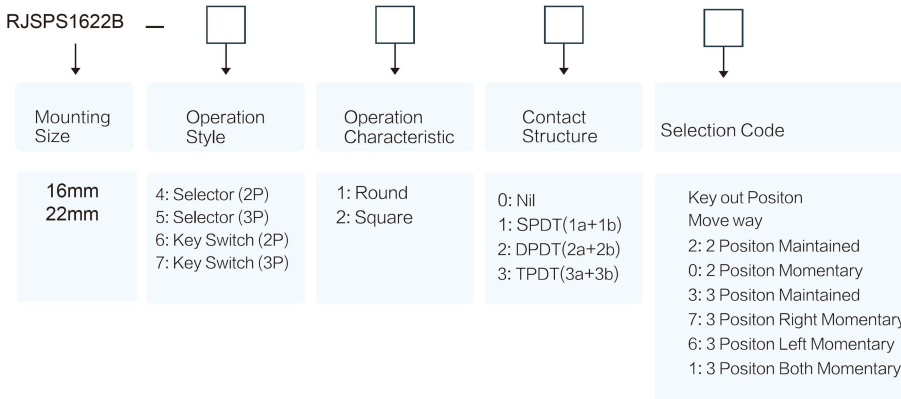
| Rated Voltage | Current |
|-------------------|---|
| 5V DC ± 5% | 8mA AC: A, R, W, Y: 8mA G, S: 7mA |
| 6V AC/DC (± 10%) | DC: A, R, W, Y: 6mA G, S: 5mA |
| 12V AC/DC (± 10%) | AC: 9mA DC: 8mA |
| 24V AC/DC (± 10%) | AC: 9mA DC: 8mA |

RJSPS1622B SERIES

KEYLOCK SWITCH

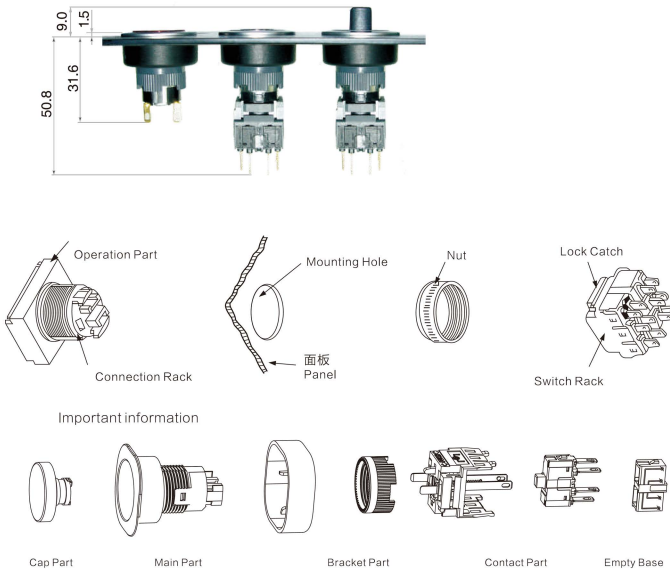


How to Order:



| Sort | Reset Style | | | | Key out Positon | | | | | | | |
|----------|-------------|-----------|---|---|-----------------|---|---|---|---|---|---|--|
| | Maintained | Momentary | | | | | | | | | | |
| 3Positon | | | | | | | | | | | | |
| Code | 2 | 0 | | | A | B | | D | | | | |
| 3Positon | | | | | | | | | | | | |
| Code | 3 | 7 | 6 | 1 | A | B | C | D | E | F | G | |

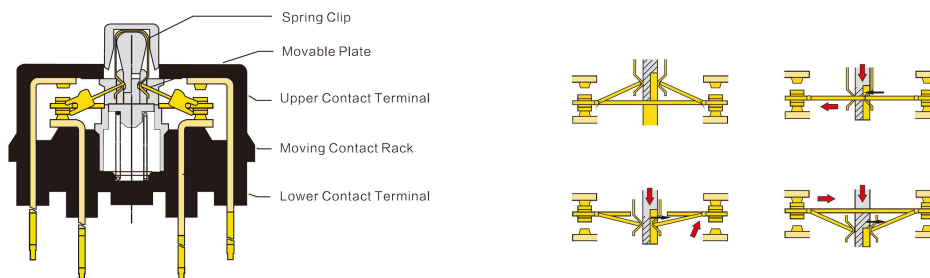
Selector/Key basic rotation angle 90°



Installation depth of other products is 42.5mm except for indicator lamp

- In the lock state do not open the alternate type button, it could lead to internal structre damage.
- Easily rotate choose Switch and Key Switch can, operation do not excessive force (1 N.m above)
- Installation of us 22M16, please pay attention to install board can't more than cover the biggest 2.6mm. waterproof cover the biggest 2.0mm, the largest ring 1mm.
- When installation, please use the special spanner, appropriate imprison torque to 0.6-1 N.m
- Welding operations, pay attention to the following:
 - 1) Soldering pen for 30W power below.
 - 2) Solder must bring gum rosin solder wire.
 - 3) Welding duration when 30W 5 seconds, when 20W within 10 Seconds.

Contact Structure Chart





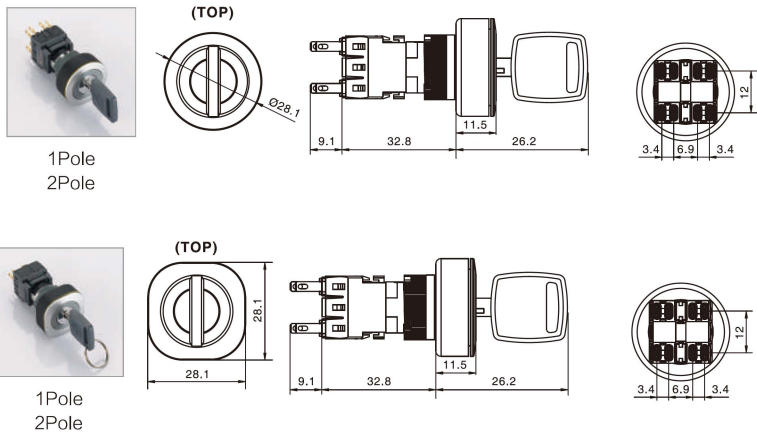
RJSPS1622B SERIES

KEYLOCK SWITCH

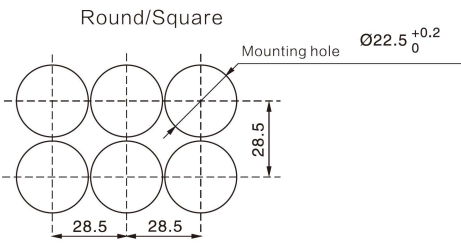


Key Lock Switches

| Product appearance | Operation | | Contact | Model | Ring Color | | |
|--|-----------------------|--|---------------------|--------------------------|---------------------|------|--------------------------|
| Round  | 90° 2 2 Position | Maintained | SPDT | RJSPS1622B ROUND -6112 ■ | K Black S Silver | | |
| | | Momentary | SPDT | RJSPS1622B ROUND -6110 ■ | | | |
| | | Maintained | DPDT | RJSPS1622B ROUND -6122 ■ | | | |
| | | Momentary | DPDT | RJSPS1622B ROUND -6120 ■ | | | |
| | 90° 3 3 Position | Maintained | DPDT | RJSPS1622B ROUND -7123 ■ | | | |
| | | Left lock Right reset | DPDT | RJSPS1622B ROUND -7127 ■ | | | |
| | | Left reset Right lock | DPDT | RJSPS1622B ROUND -7126 ■ | | | |
| | | Momentary | DPDT | RJSPS1622B ROUND -7121 ■ | | | |
| | | Maintained | TPDT | RJSPS1622B ROUND -7133 ■ | | | |
| | | Left lock Right reset | TPDT | RJSPS1622B ROUND -7137 ■ | | | |
| | | Left reset Right lock | TPDT | RJSPS1622B ROUND -7136 ■ | | | |
| | | Momentary | TPDT | RJSPS1622B ROUND -7131 ■ | | | |
| | | Square  | 90° 2 2 Position | Maintained | | SPDT | RJSPS1622B SQUARE-6212 ■ |
| | | | | Momentary | | SPDT | RJSPS1622B SQUARE-6210 ■ |
| Maintained | DPDT | | | RJSPS1622B SQUARE-6222 ■ | | | |
| Momentary | DPDT | | | RJSPS1622B SQUARE-6220 ■ | | | |
| 90° 3 3 Position | Maintained | | DPDT | RJSPS1622B SQUARE-7223 ■ | | | |
| | Left lock Right reset | | DPDT | RJSPS1622B SQUARE-7227 ■ | | | |
| | Left reset Right lock | | DPDT | RJSPS1622B SQUARE-7226 ■ | | | |
| | Momentary | | DPDT | RJSPS1622B SQUARE-7221 ■ | | | |
| | Maintained | | TPDT | RJSPS1622B SQUARE-7233 ■ | | | |
| | Left lock Right reset | | TPDT | RJSPS1622B SQUARE-7237 ■ | | | |
| Left reset Right lock | TPDT | RJSPS1622B SQUARE-7236 ■ | | | | | |
| Momentary | TPDT | RJSPS1622B SQUARE-7231 ■ | | | | | |

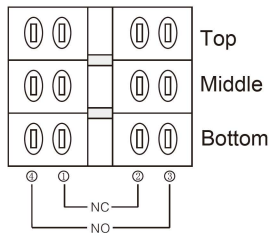


Installation size



Note: above installation gap is the min value, please determine the installation hole gap according to equipment operation property and using property.

Terminal style



As shown at right, the base of product to be seen as front side, which show terminal disposition and inside coil drawing.

Product assemble contact 1C(1a+1b), if needed, Please appoint to add at least 3C(1a+1b)