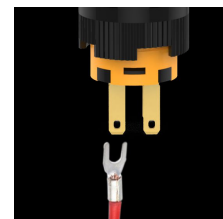
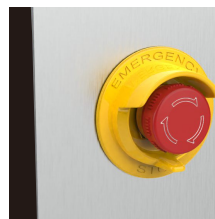
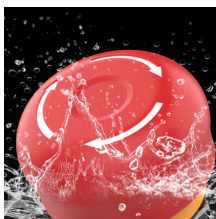


RJS-PS16A

Emergency Stop Switch Series



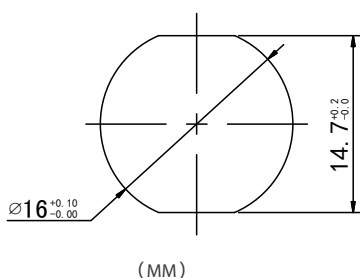
Excellent safety and appearance design, to create the world's smallest class of short-body emergency stop switch.

RJS - PS16A -	8	1	XX -	NX	X - J
Mounting size	Operation type	Operation characteristic	Contact structure	Appearance size	Stitch length
16MM	8: E-stop	1: Round	01: 1NC 02: 2NC 10: 1NO 11: 1NO+1NC	NA: Small NB: Big NL: L Mushroom NS: S Mushroom	S: Short L: Longer

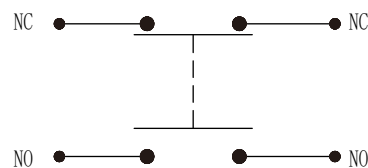
Specifications

Operating temperature	-25~+60℃
Operating humidity	45~85%RH
Degree of protection	IP65
Maximum voltage	250V AC/DC
Thermal current	3A
Maxmum applicable load	5V AC/DC, 1mA
Contact configuration	Gold-plated silver
Terminal style	110 Solder/quick connect
Soldering temperature	310~350℃
Installation category	Class III, Distribution and Control Level.
Installation limit height	2000M above sea level
Mechanical properties	
Impact resistance	150m/S ² 1000m/S ²
Vibration resistance	50Hz ~1.2mm
Mechanical life	1x10 ⁵
Electrical properties	
Rated operating voltage/current	AC-15: 0.75A/250V DC-13: 1A/30V
Contact resistance	≤50mΩ
Insulation resistance	≥100MΩ (500VDC)
Withstand voltage	≥2500VAC
Electrical life	1x10 ⁵ 次

Installation hole size



Contact diagram



Press the emergency stop, turn clockwise and automatically pop up

(NO)
Normally open (NO)
When not pressed, the switch is turned on when pressed.

(NC)
Normally closed (NC)
When not pressed, the switch is always closed when pressed.

RJS-PS16A

EMERGENCY STOP SWITCHES



Small head emergency stop

Short feet



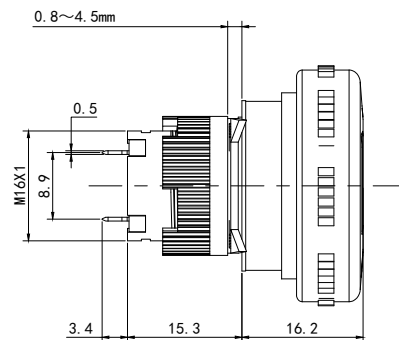
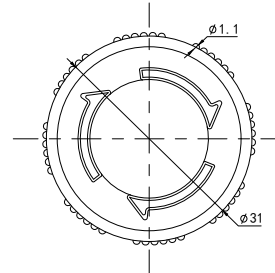
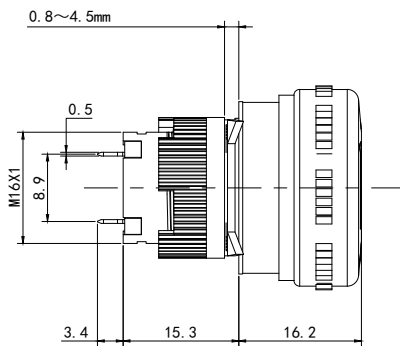
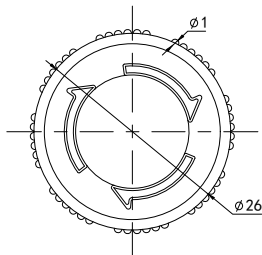
Big head emergency stop

Short feet



Model	Contact
RJS-PS16A-8111-NAS-J	1NO+1NC
RJS-PS16A-8102-NAS-J	2NC
RJS-PS16A-8101-NAS-J	1NC
RJS-PS16A-8110-NAS-J	1NO

Model	Contact
RJS-PS16A-8111-NBS-J	1NO+1NC
RJS-PS16A-8102-NBS-J	2NC
RJS-PS16A-8101-NBS-J	1NC
RJS-PS16A-8110-NBS-J	1NO



RJS-PS16A

EMERGENCY STOP SWITCHES

S Mushroom head emergency Stop

Short feet



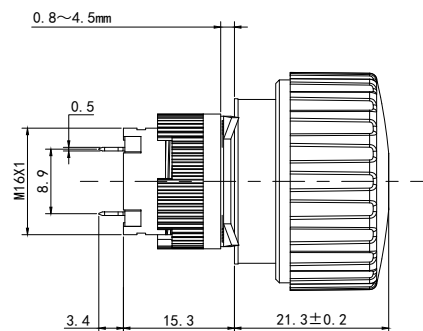
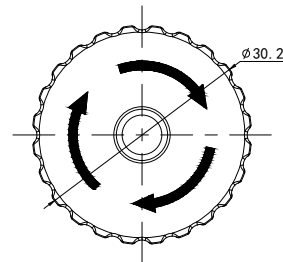
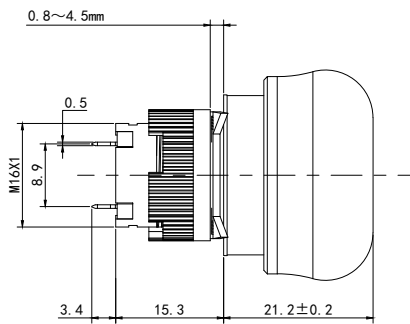
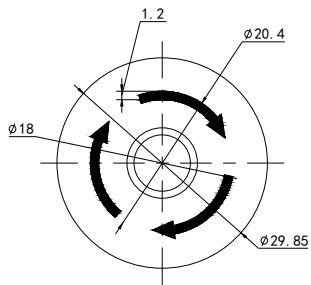
L Mushroom head emergency Stop

Short feet



Model	Contact
RJS-PS16A-8111-NSS-J	1NO+1NC
RJS-PS16A-8102-NSS-J	2NC
RJS-PS16A-8101-NSS-J	1NC
RJS-PS16A-8110-NSS-J	1NO

Model	Contact
RJS-PS16A-8111-NLS-J	1NO+1NC
RJS-PS16A-8102-NLS-J	2NC
RJS-PS16A-8101-NLS-J	1NC
RJS-PS16A-8110-NLS-J	1NO



RJS-PS16A

EMERGENCY STOP SWITCHES



Small head emergency stop

Long t feet



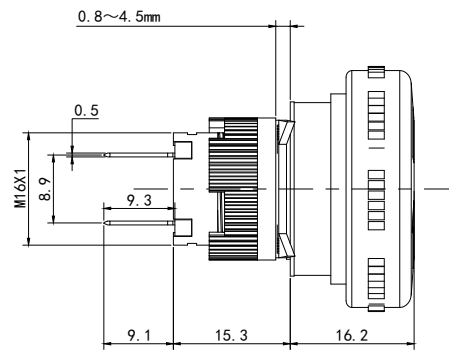
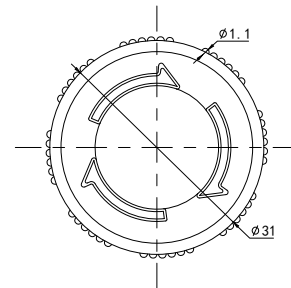
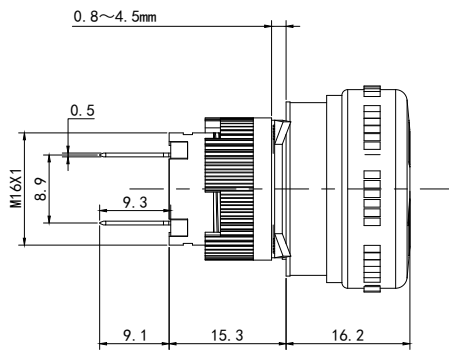
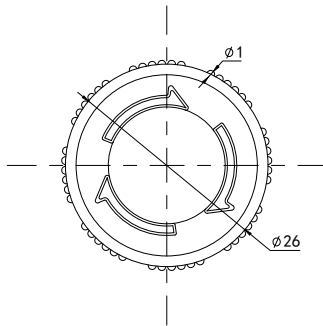
Big head emergency stop

Long t feet



Model	Contact
RJS-PS16A-8111-NAL-J	1NO+1NC
RJS-PS16A-8102-NAL-J	2NC
RJS-PS16A-8101-NAL-J	1NC
RJS-PS16A-8110-NAL-J	1NO

Model	Contact
RJS-PS16A-8111-NBL-J	2NC
RJS-PS16A-8102-NBL-J	1NO+1NC
RJS-PS16A-8101-NBL-J	1NC
RJS-PS16A-8110-NBL-J	1NO



RJS-PS16A

EMERGENCY STOP SWITCHES



S Mushroom head emergency Stop

Long t feet



L Mushroom head emergency Stop

Long t feet



Model	Contact
RJS-PS16A-8111-NSL-J	1NO+1NC
RJS-PS16A-8102-NSL-J	2NC
RJS-PS16A-8101-NSL-J	1NC
RJS-PS16A-8110-NSL-J	1NO

Model	Contact
RJS-PS16A-8111-NLL-J	2NC
RJS-PS16A-8102-NLL-J	1NO+1NC
RJS-PS16A-8101-NLL-J	1NC
RJS-PS16A-8110-NLL-J	1NO

