

RJSPS16B SERIES

KEYLOCK SWITCH



Related certification

Standard	signal
UL 508	
EN60947-1 EN60947-5-1	
GB 14048.5	



Specifications

Degree of Protection	IP 65 Watertight /Oiltight
Contact Configuration	Single Pole, Double Pole
Maximum Voltage	250V AC/DC
Thermal Current	5A
Minimum Applicable Load	5V AC/DC, 1mA
Contact Material	Gold-plated silver
Terminal Style	.110" Solder/Quick Connect
Operating Temperature	-25°C to +55°C
Operating Humidity	45 to 85% RH
Contact Resistance	50MΩ maximum
Insulation Resistance	100MΩ minimum (500V DC megger)
Vibration Resistance	10 to 55Hz, amplitude 1.2mm p-p
Degree of Protection	>10g
Electrical Life	100,000 operations minimum (at full rated load)
Mechanical Life	Maintained: 1,000,000 operations minimum Momentary: 1,000,000 operations minimum Selector /Keylock: 250, 000 operations minimum
Dielectric Strength	Switch Unit: 2,000V AC, 1min. between live/dead part and terminals of different poles; 1,000V AC, 1 minute between terminals of the same pole; 1,500V AC, 1 minute between contact and lamp terminals. Illumination Unit: 2,000V AC, 1min. between live Part/ground
Soldering Temperature	20W/5 Seconds or 260C/3 seconds



Features

- Installation diameter: 16mm
- Degree of Protection: IP65
- Silver Plated of contact: 3 μ
- Compact design save space
- Momentary, Maintained, Selector and E-stops
- LED Super bright LED cold light source lamp display

Contact Ratings

Working voltage		24V	110V	220V
AC (50/60Hz)	Resistive	—	1.0A	0.5A
	Inductive	—	0.7A	0.5A
DC	Resistive	1.0A	0.2A	—
	Inductive	0.7A	0.1A	—

LED Ratings

Rated Voltage	Current
5V DC ± 5%	8mA
6V AC/DC (± 10%)	AC: A, R, W, Y: 8mA G, S: 7mA
	DC: A, R, W, Y: 6mA G, S: 5mA
12V AC/DC (± 10%)	AC: 9mA DC: 8mA
24V AC/DC (± 10%)	AC: 9mA DC: 8mA

RJSPS16B SERIES

KEYLOCK SWITCH



How to Order:

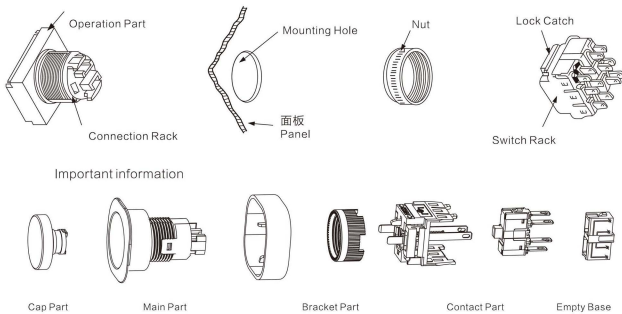
RJSPS16B	—	□	□	□	□
Mounting Size	Operation Style	Operation Characteristic	Contact Structure	Selection Code	
	4: Selector (2P) 5: Selector (3P) 6: Key Switch (2P) 7: Key Switch (3P)	1: Round 2: Square 3: Rectangluar	0: Nil 1: SPDT(1a+1b) 2: DPDT(2a+2b) 3: TPDT(3a+3b)	Key out Positon Move way 2: 2 Positon Maintained 0: 2 Positon Momentary 3: 3 Positon Maintained 7: 3 Positon Right Momentary 6: 3 Positon Left Momentary 1: 3 Positon Both Momentary	

Sort	Reset Style				Key out Positon							
	Maintained	Momentary										
3Positon	⊗	⊙			⊗	⊗		⊗				
Code	2	0			A	B		D				
3Positon	⊕	⊙	⊙	⊙	⊗	⊗	⊗	⊗	⊙	⊙	⊙	⊙
Code	3	7	6	1	A	B	C	D	E	F	G	

Selector/Key basic rotation angle 90°

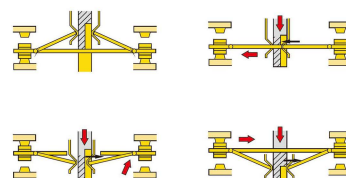
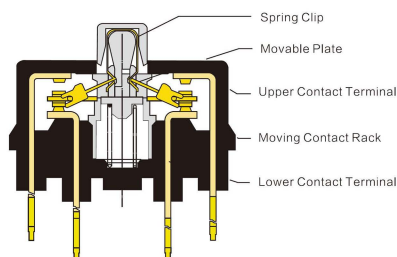


Installation depth of other products is 42.5mm except for indicator lamp



- In the lock state do not open the alternate type button, it could lead to internal structre damage.
- Easily rotate choose Switch and Key Switch can, operation do not excessive force (1 N.m above)
- Installation of us 22M16, please pay attention to install board can't more than cover the biggest 2.6mm. waterproof cover the biggest 2.0mm, the largest ring 1mm.
- When installation, please use the special spanner, appropriate imprison torque to 0.6-1 N.m
- Welding operations, pay attention to the following:
 - 1) Soldering pen for 30W power below.
 - 2) Solder must bring gum rosin solder wire.
 - 3) Welding duration when 30W 5 seconds, when 20W within 10 Seconds.

Contact Structure Chart

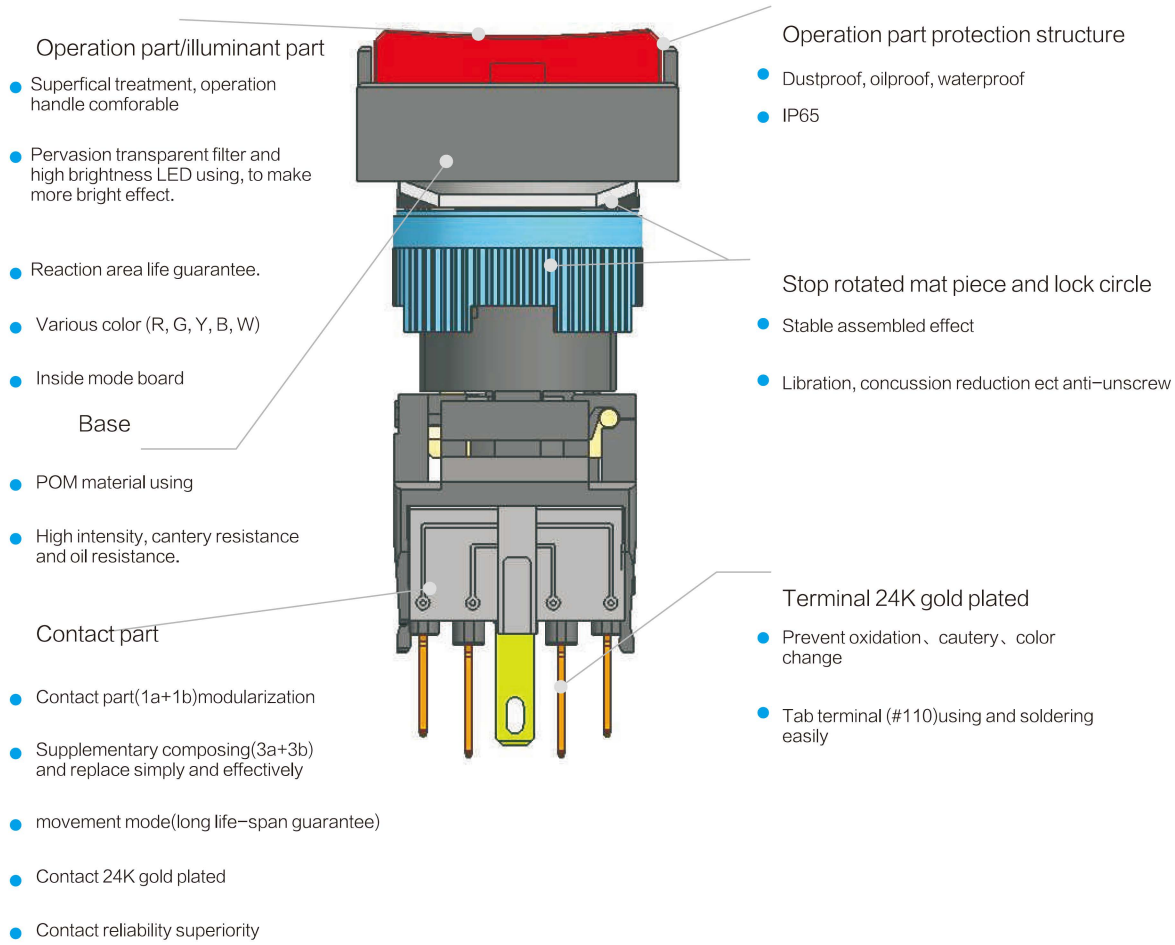


RJSPS16B SERIES

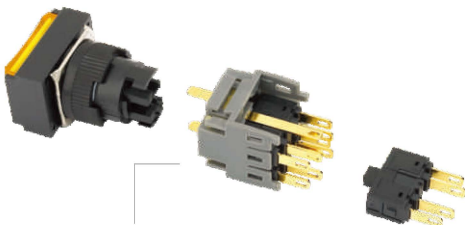
KEYLOCK SWITCH



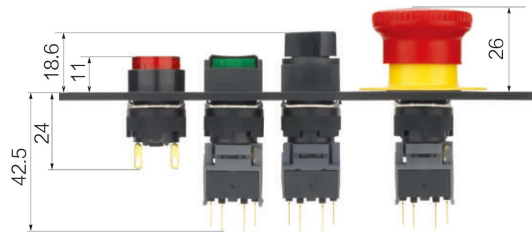
■ Features



■ Assembly / Installation Depth



The switch rack is marked with the polarity of indicator lamp terminal . Press the upper and lower lock catches of switch rack , to disassemble the switch rack conveniently. The inching components can be assembled or changed



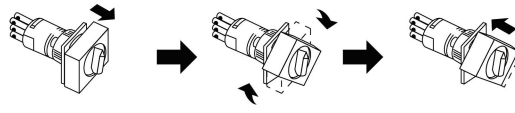
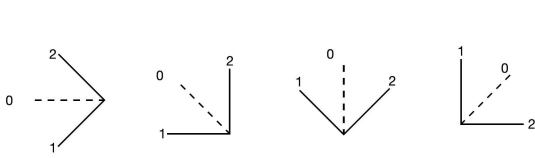
Installation depth of other products is 42.5mm except for indicator lamp

RJSPS16B SERIES

KEYLOCK SWITCH

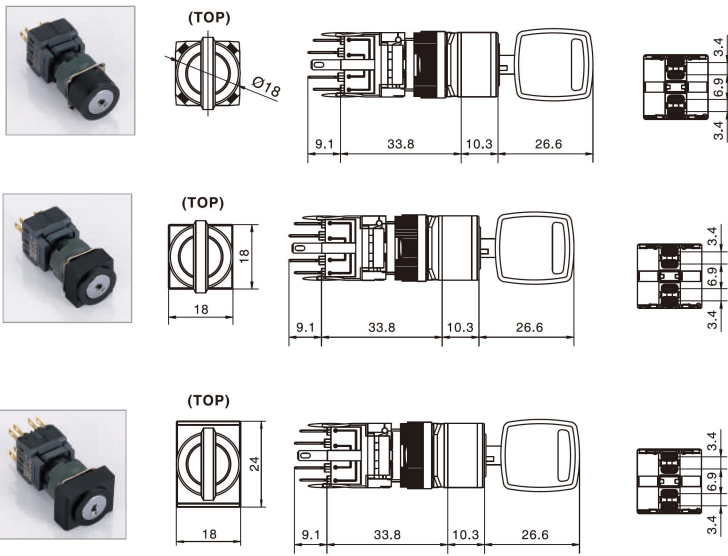


Key Lock Switches Position / Assembly

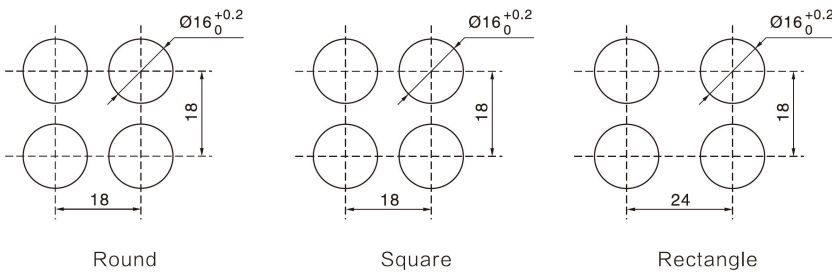


Selector and Key Switch Handle Position

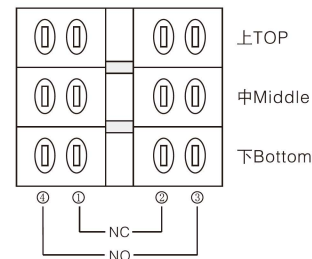
Operation		Contact	↙	↑	↗
90° 2 2 Position	Maintained	SPDT	NO NC		NO NC
	Momentary		NO NC NO NC		NO NC NO NC
90° 3 3 Position	Maintained	TPDT	NO NC NO NC	NO NC NO NC	NO NC NO NC
	Left lock Right reset		NO NC NO NC	NO NC NO NC	NO NC NO NC
	Left reset Right lock		NO NC NO NC	NO NC NO NC	NO NC NO NC
	Momentary		NO NC NO NC	NO NC NO NC	NO NC NO NC



Installation size



Terminal style



- As shown at right, the base of product to be seen as front side, which show terminal disposition and inside coil drawing.
- Product assemble contact 1C(1a+1b), if needed, Please appoint to add at least 3C(1a+1b)