

# SF19BA SERIES

WATERPROOF MULTI-FUNCTION SWITCH



### Feature

- Panel cutting Ø19mm
- Front Panel IP65
- 5 Key Navigation Switches
- LED Illuminated
- Metal Housing

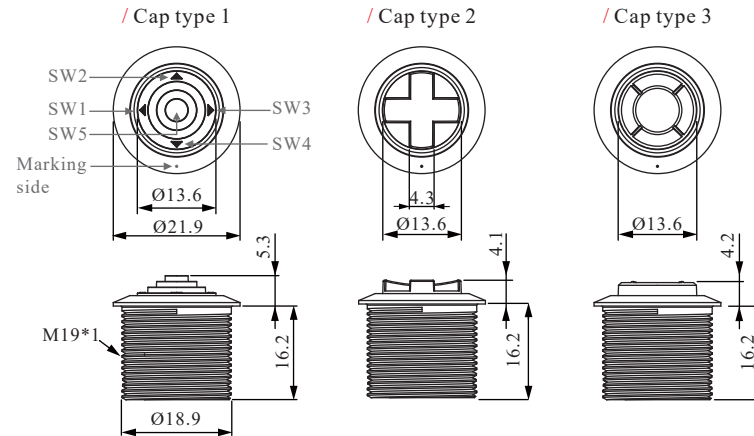
### General Specifications

Switch Circuit :SP5T  
 Switch Rating :50mA@12VDC  
 LED Rating :30mA@12VDC  
 Contact Resistance :300mΩ Max.  
 Insulation Resistance :100MΩ Min.  
 Operating Force :Center Push 650±200gf  
 4-Direction 250±100gf  
 Mechanical Life :50,000 cycles Min.  
 Operating Temperature :-20 °C ~ +70 °C

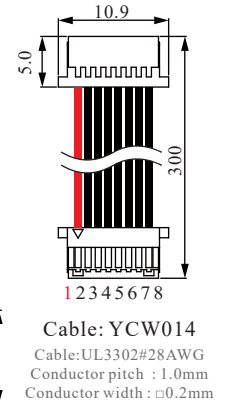
### Materials

Cap(Type 1,Type 2) :Polyamide (PA)  
 Polycarbonate (PC)  
 Reflector :Silicone  
 Base :PC  
 Housing :SUS  
 Nuts :Polyamide (PA)  
 Washer :Rubber

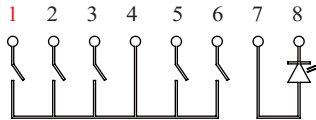
### Dimension



### Option

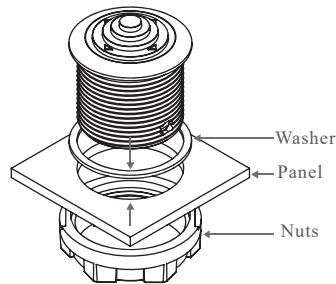


### Contact Configuration & Panel cutting

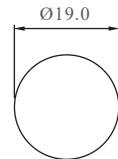


| Pin | Function | Pin | Function |
|-----|----------|-----|----------|
| 1   | SW3 N.O. | 5   | SW4 N.O. |
| 2   | SW2 N.O. | 6   | SW5 N.O. |
| 3   | SW1 N.O. | 7   | LED(+)   |
| 4   | SW COM.  | 8   | LED(-)   |

The Connector for SF19BA module similar JST BM08B-SRSS-TB  
 Applicable Connector:  
 Conductor pitch / 1.0mm  
 Conductor width /□0.2mm



Installation Notes



Panel thickness 1.5~4.0mm

### How to order



**SF19BA0B11**  
 Without LED /  
 Silver Housing /  
 Black Cap type 1



**SF19BA7B12**  
 Blue LED /  
 Silver Housing /  
 Black Cap type 2



**SF19BA7A13**  
 Blue LED /  
 Black Housing /  
 Black Cap type 3