

# SF20EA SERIES

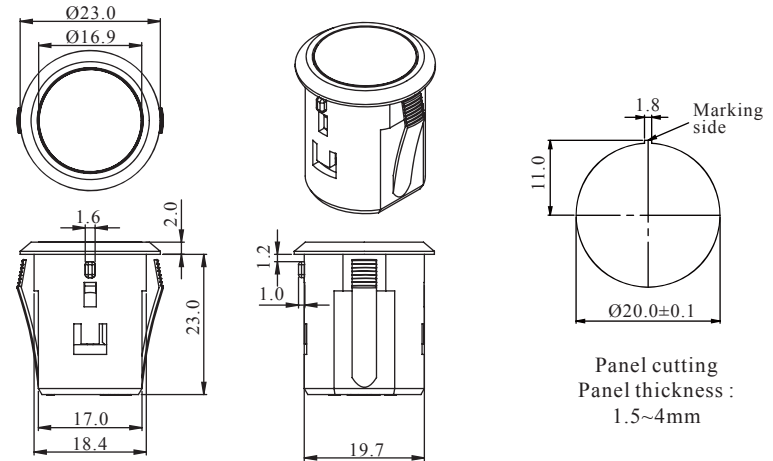
PUSH SELECT SWITCH



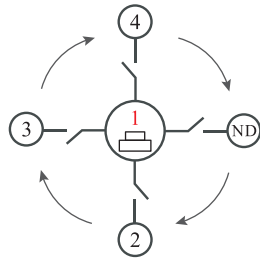
**General Specifications**  
 Circuit : OFF→ON→ON→ON  
 Current Rating : 1A @ 30VDC  
 Contact Resistance : 500mOhm Max.(initial)  
 Insulation Resistance : 100MOhm Min.  
 Operating Force : 500gf ±100gf  
 Total Travel : 1.5mm±0.5mm  
 Mechanical Life : 100,000 cycles Min.  
 Operating Temperature : -10 °C ~ +60 °C

**Materials**  
 Cap : Polycarbonate (PC)  
 Housing : Polyamide (PA)  
 SW Reflector : Polyacetal(POM)  
 SW Terminal : Brass with gold plating  
 SW Spring : SUS  
 SW Contact : Brass with gold plating

## Dimension & Panel cutting




## Contact Configuration




Pin	Function
1	COM
2	1-2 N.O.
3	1-3 N.O.
4	1-4 N.O.

## How to order



**SF20EA551**  
 Black Housing /  
 Black Cap with Marking 1



**SF20EA552**  
 Black Housing /  
 Black Cap with Marking 2

※ Color is subject to actual product.  
 ※ We provide Marking service.

## Option



**Cable: YCW016**  
 Cable: UL1007#26AWG  
 Conductor pitch : 2.0mm  
 Conductor width : □0.5mm