

SF30BA

NAVIGATION SWITCH

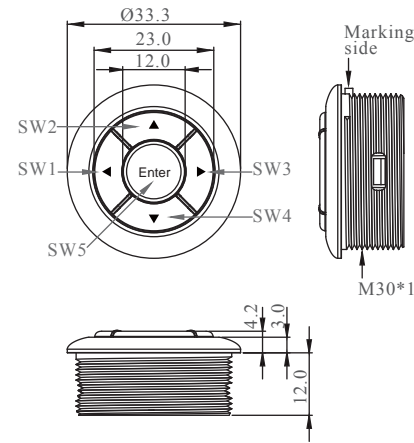


General Specifications
 Circuit :SP5T (Switch element)
 Current Rating :50mA @ 12VDC
 Contact Resistance :500m Ohm Max.(initial)
 Insulation Resistance :100MOhm Min.
 Operating Force :400gf±200gf(S1~4)
 250gf±100gf(S5)
 Total Travel :0.5mm ±0.3mm
 Mechanical Life :200,000 cycles Min.
 Operating Temperature :-25 °C ~ +60 °C

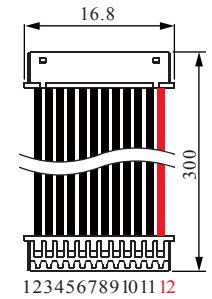
Materials
 Housing :Aluminum
 Cap :Polycarbonate (PC)
 Reflector :Silicone
 Nuts :Polyamide(PA)
 Base :Acrylonitrile Butadine Styrene (ABS)
 Washer :NBR
 SUS Washer :SUS

- | | |
|---|--|
| Application | Feature |
| <ul style="list-style-type: none"> Industrial equipment Public building CNC Machine tool Medical equipment Robot Transportation | <ul style="list-style-type: none"> Panel cutting Ø30mm Front Panel IP65 5 Key Navigation Switches LED Illuminated Metal Housing |

Dimension & Panel Cutting



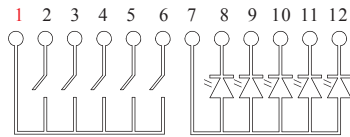
Option



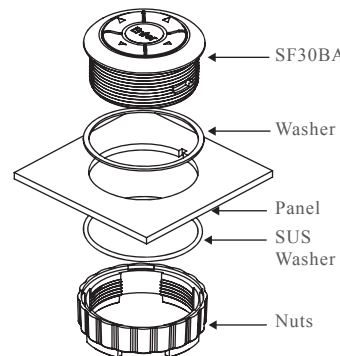
Cable: YCW024
 Cable:UL1571#28AWG
 Conductor pitch : 1.25mm
 Conductor width : □0.3mm

Panel cutting
 Panel thickness :
 1.5~4.0mm

Contact Configuration & Installation Notes



Pin	Function	Pin	Function
1	SW COM.	7	LED (+)
2	SW 1 N.O.	8	SW 1 LED(-)
3	SW 2 N.O.	9	SW 2 LED(-)
4	SW 3 N.O.	10	SW 3 LED(-)
5	SW 4 N.O.	11	SW 4 LED(-)
6	SW 5 N.O.	12	SW 5 LED(-)



How to Order

<p>SF30BA4051 White LED / Silver Housing / Paint Black Cap with Marking</p>	<p>SF30BA5551 Pure Green LED / Black Housing / Paint Black Cap with Marking</p>	<p>SF30BA7051 Blue LED / Silver Housing / Paint Black Cap with Marking</p>
---	---	--

※ Color is subject to actual product.
 ※ We provide Laser Marking service.