

SF39EA / SF39EB

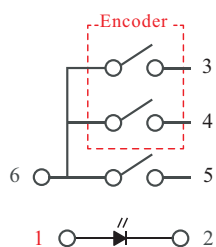
MULTI-FUNCTION ENCODER SWITCH SERIES



PAT. M512798
PAT. ZL 201520267491.6

General Specifications	Current Rating	:1 mA
	Voltage Rating	:10 VDC
	Dielectric Withstanding Voltage	:250VAC for 1 minute
	Contact Resistance	:300m Ohm Max. (initial)
	Insulation Resistance	:100M Ohm Min.
	Operating Force	:Rotation Max. 60gf-cm Push Max. 220gf±50gf
	Mechanical Life	:Rotation - Min. 200,000 operations (C.W. 100,000 & C.C.W 100,000) Push - Min. 1,000,000 operations :Rotation - Max. 30 operations per minute Push -Max. 120 operations per minute
	Operating Frequency	:0 °C ~ +40 °C
	Operating Temperature	:Polyamide (PA) :Polycarbonate (PC)
	Materials	:Aluminum
	Knob	:Polyamide (PA)
	Push Cap	:Polyamide (PA)
	Housing	:PA, Brass with Tin plating
	Nuts	
	Base	
	Connector	

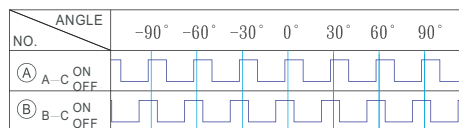
Configuration



Pin	Function
1	LED(+)
2	LED(-)
3	A-Com ON/OFF
4	B-Com ON/OFF
5	SW N.O.
6	SW COM.

The Connector for SF39EA module similar JST B6B-PH-K-A

Rotation



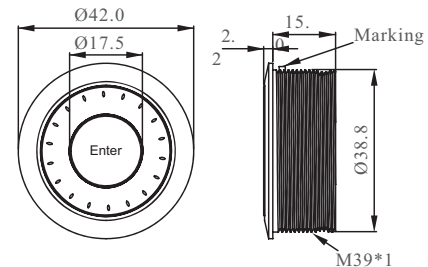
CW ← → CCW

Numbers of detent : 24

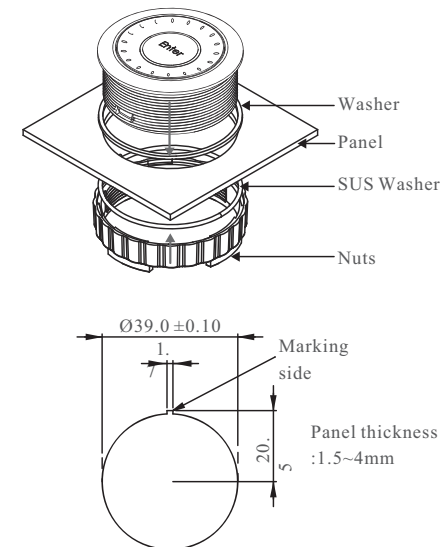
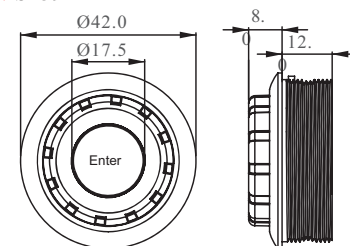
Pulse / Rotation : 12 pulse / 360°

Dimension & Installation Notes & Panel Cutting

/ SF39EA



/ SF39EB



How to order



SF39EA5051A
Pure Green LED /
Silver Housing / Silver knob /
Black Cap with Marking



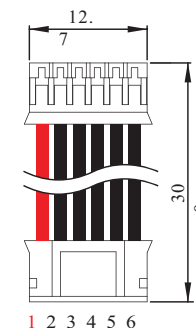
SF39EB7551A
Blue LED /
Black Housing / Silver knob /
Black Cap with Marking



SF39EB4551B
White LED /
Black Housing / Black knob /
Black Cap with Marking

※ Color is subject to actual product.
※ We provide Laser Marking service.

Option



Cable: YCW013
Cable: UL1007#26AWG
Conductor pitch : 2.0mm
Conductor width : □0.5mm