

SF42EA

MULTIFUNCTIONAL ENCODER SWITCH



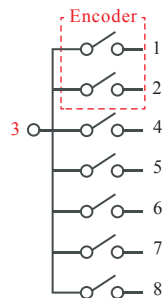
Materials

Cap / Knob	:PC
Housing	:Aluminum
Nuts	:Aluminum
Base	:ABS
SUS Washer	:SUS
Washer	:EVA

General Specifications

Current Rating	:1 mA
Voltage Rating	:10VDC with Resistive Load
Vibration Resistance	:10~55Hz, displacement 0.75mm(p-p)
Contact Resistance	:Max. 300mΩ
(Measured by ohm meter-Open Voltage <1 VDC, Driver current-100mA)	
Insulation Resistance	:Min. 100MΩ(100VDC/ minute)
Operating Force	:5 way switch Max. 300gf
Mechanical Life	:Rotation - Min. 2,000,000 operations (C.W. 1,000,000 & C.C.W 1,000,000 operations)
Operating Frequency	:Rotation- Max. 30 operations per minute
Operating Temperature	:0 °C ~ +40 °C

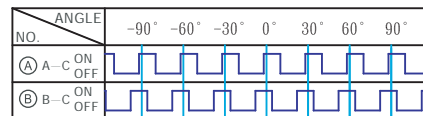
Contact Configuration



Pin	Function
1	A-COM ON OFF
2	B-COM ON OFF
3	COM
4	SW1 N.O.
5	SW2 N.O.
6	SW3 N.O.
7	SW4 N.O.
8	SW5 N.O.

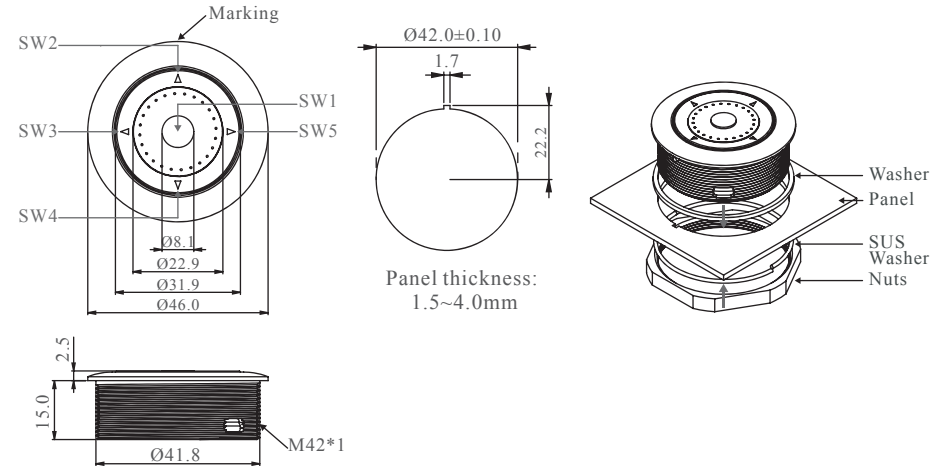
The Connector for SF42EA module similar JST B8B-PH-SM4-TB
 Applicable Connector:
 Conductor pitch / 2.0mm
 Conductor width / □0.5mm

Rotation



CW ← → CCW
 Numbers of detent : 24
 Pulse / Rotation : 12 pulse / 360°

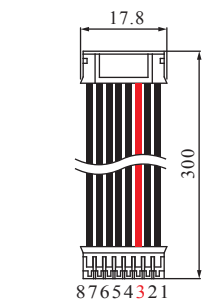
Dimension & Panel Cutting & Installation Notes



How to Order



Option



Cable: YCW015
 Cable:UL1007#26AWG
 Conductor pitch : 2.0mm
 Conductor width : □0.5mm