

# SF66BA

9 KEY PROGRAMMABLE ILLUMINATED SWITCH



### General Description

The SF66BA is serial-interfaced push-switch provides microprocessors with up to 9 keys. Each key be configured as a push-pull logic output capable of sinking 10mA of LED at 3V

The SF66BA is controlled through an SPI-compatible 4-wire serial interface, only need 6-pin connectors to use.

### General Specifications

Circuit : 9 key switch & 9 leds by SPI interface  
 Total Travel : 1.0mm ± 0.5mm  
 Mechanical Life : 200,000 cycles Min.  
 Operating Temperature : -25 °C ~ +60 °C

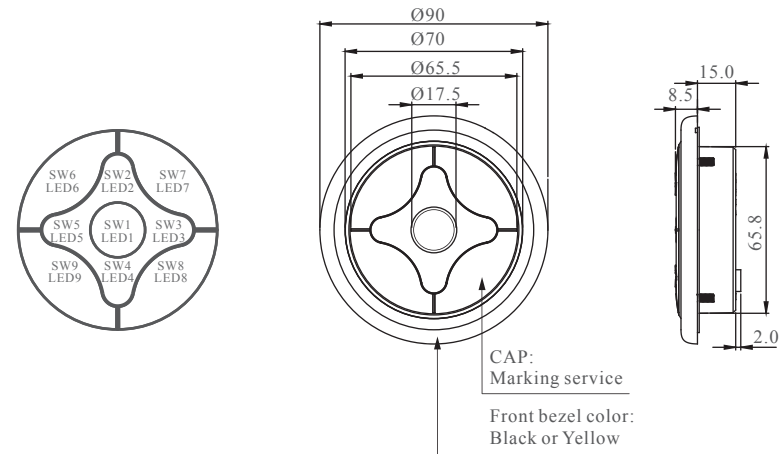
### Feature

- Panel cutting Ø66mm
- Front Panel IP65
- 9 Keys Navigation Switches
- Blue LED Illuminated
- SPI interface
- Marking service
- Made by order please contact our representative

### Application

- Industrial equipment
- Public building
- CNC Machine tool
- Medical equipment
- Robot
- Transportation

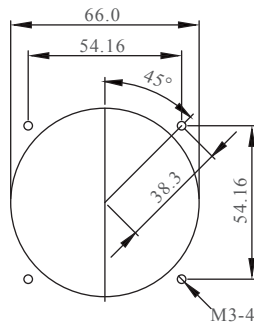
### Dimension & Panel Cutting



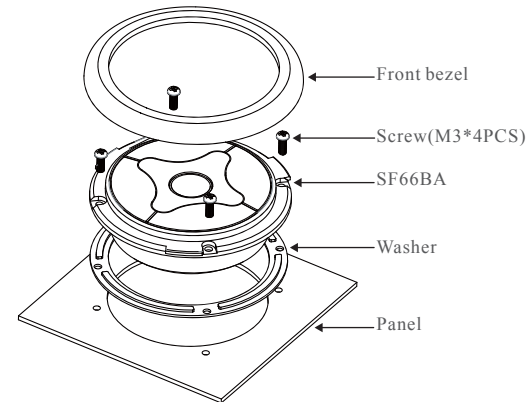
### Pin Description & Panel Cutting

Pin	Name	Function
1	VCC	Positive Supply Voltage 3~5.5V
2	CS	4-Wire Chip-Select Input, Active-Low
3	DOUT	4-Wire Serial data output
4	GND	Ground
5	DIN	4-Wire Serial Data Input
6	SCLK	4-Wire Serial Clock Input

The Connector for SF66BA module similar JST B6B-PH-SM4-TB  
 Applicable Connector:  
 Conductor pitch / 2.0mm  
 Conductor width / □0.5mm



### Installation Notes



### Option

