

SFA

MULTI-FUNCTION ENCODER SWITCH



Feature

- Rotary encoder
- Tactile switches
- LED Illuminated
- Marking service

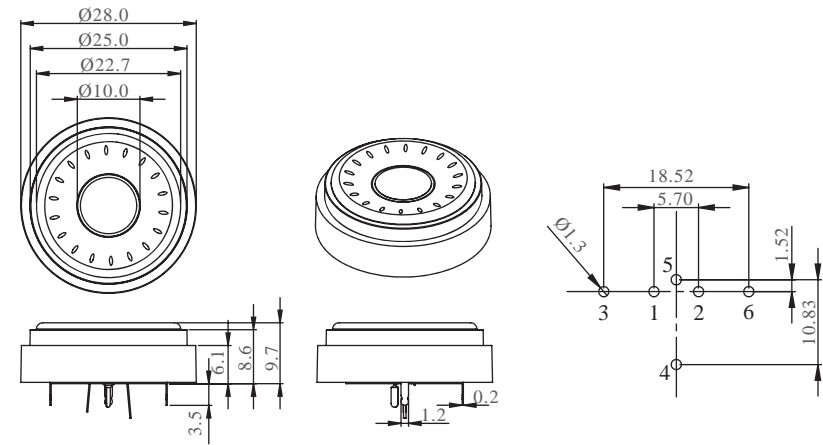
General Specifications

Current Rating : 1 mA
 Voltage Rating : 10 VDC
 Dielectric Withstanding : 250VAC for 1 minute
 Voltage
 Contact Resistance : 300m Ohm Max.(initial)
 Insulation Resistance : 100M Ohm Min.
 Operating Force : Rotation Max. 60gf-cm
 Push Max. 220gf±50gf
 Mechanical Life : Rotation - Min. 200,000 operations
 (C.W. 100,000 & C.C.W 100,000)
 Push - Min. 1,000,000 operations
 Operating Temperature : -0 °C ~ 40 °C

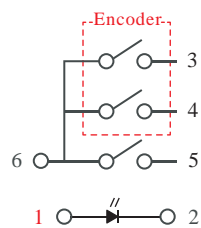
Materials

Knob : Acrylonitrile Butadine Styrene (ABS)
 Push Cap : Polycarbonate (PC)
 Terminal : Brass with silver plating
 Base : Polyamide(PA)

Dimension & PCB layout

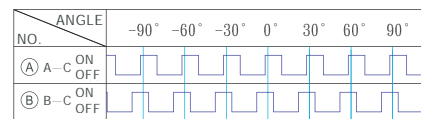


Contact Configuration



Pin	Function
1	LED(+)
2	LED (-)
3	A-Com ON OFF
4	B-Com ON OFF
5	SW N.O.
6	SW COM.

Rotation



CW ← → CCW

Numbers of detent : 24
 Pulse / Rotation : 12 pulse / 360°

How to order



SFA4551

White LED /
 Black knob /
 Paint Black Cap with Marking



SFA5441

Pure Green LED /
 White knob /
 Paint white Cap with Marking



SFA7552

Blue LED /
 Black knob /
 Paint Black Cap with Marking

※ Color is subject to actual product.
 ※ We provide Laser Marking service.