

SNA1

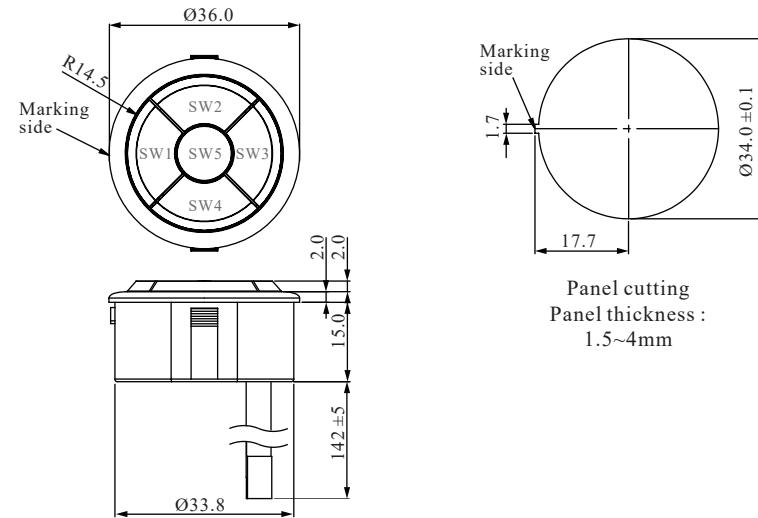
NAVIGATION SWITCH



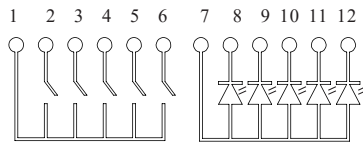
General Specifications

Current Rating	:50mA
Voltage Rating	:12VDC
Dielectric Withstanding Voltage	:250VAC for 1 minute
Contact Resistance	:100m Ohm Max.(initial)
Insulation Resistance	:100M Ohm Min.
Operating Force	:230gf± 50gf(Tactile)/ 60gf± 40gf(Noiseless)
Total Travel(Tactile)	:0.4mm ± 0.2mm
Total Travel(Noiseless)	:1.0mm ± 0.3mm
Mechanical Life	:1,000,000 cycles Min.
Function	:Momentary(SP5T)
Operating Temperature	:-10 °C ~ +60 °C
Materials	
Cap	:Polycarbonate (PC)
Base	:Polyamide (PA)
Reflector	:Polyoxymethylene (POM)
Switch Terminal	:Brass with gold plating
Housing	:Polyamide (PA)
Action Dome	:Phosphor Bronze with gold plating (Noiseless) Phosphor Bronze with silver plating(Tactile)

Dimension





Contact Configuration



Pin	Function	Pin	Function
1	SW COM.	7	LED (+)
2	SW 1 N.O.	8	SW 1 LED(-)
3	SW 2 N.O.	9	SW 2 LED(-)
4	SW 3 N.O.	10	SW 3 LED(-)
5	SW 4 N.O.	11	SW 4 LED(-)
6	SW 5 N.O.	12	SW 5 LED(-)


The Connector for SNA1 module is YCN007 or similar JST 12FLZT-SM1-TF
 Applicable FFC: Conductor pitch / 0.5mm
 Conductor width / 0.3mm
 Mating part thickness / 0.30±0.05mm

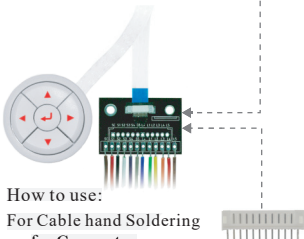
How to order

 <p>SNA1AT7552 Tactile / Blue LED Black Housing / Paint Black Cap with Marking</p>	 <p>SNA1AN3442 Noiseless / Green LED White Housing / Paint White Cap with Marking</p>
---	--

※ Color is subject to actual product.
 ※ We provide Laser Marking service.

Option


Adapter: YPS009


How to use:
 For Cable hand Soldering
 or for Connector