

SNA3

NAVIGATION SWITCH



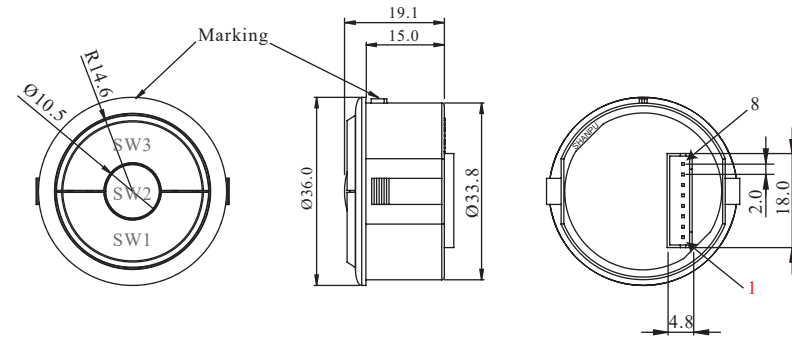
General Specifications

Current Rating	:50mA
Voltage Rating	:12VDC
Dielectric Withstanding Voltage	:250VAC for 1 minute
Contact Resistance	:100m Ohm Max.(initial)
Insulation Resistance	:100M Ohm Min.
Operating Force	: 400gf (Max.)
Total Travel	:0.2mm ± 0.1mm
Mechanical Life	:1,000,000 cycles Min.
Function	:SP3T
Operating Temperature	:-10 °C ~ +60 °C

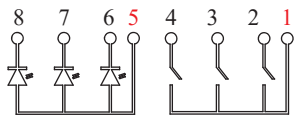
Materials

Cap	:Polycarbonate (PC)
Housing	:Polyamide (PA)
Reflector	:Polyoxymethylene (POM)
Switch Terminal	:Brass with gold plating
Action Dome	:SUS with silver plating
Sealing rubber	:Silicone

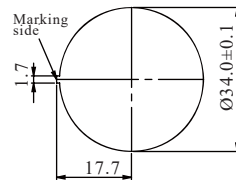
Dimension



Contact Configuration & Panel cutting



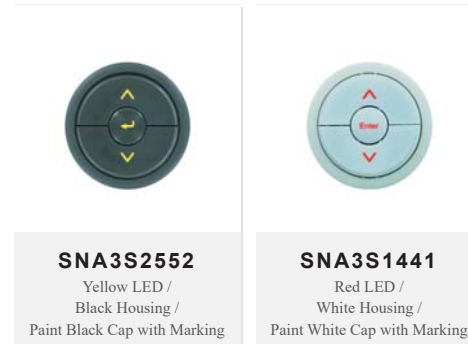
Pin	Function
1	SW COM.
2	SW 1 N.O.
3	SW 2 N.O.
4	SW 3 N.O.
5	LED+
6	LED1-
7	LED2-
8	LED3-



Panel cutting
Panel thickness :
1.5~4mm

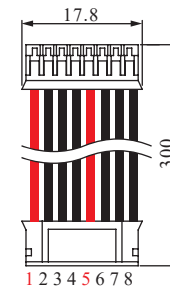
The Connector for SNA3 module
similar JST B8B-PH-K-A
Applicable Connector:
Conductor pitch / 2.0mm
Conductor width / □0.5mm

How to order



※ Color is subject to actual product.
※ We provide Laser Marking service.

Option



Cable: YCW011
Cable:UL1007#26AWG
Conductor pitch : 2.0mm
Conductor width : □0.5mm