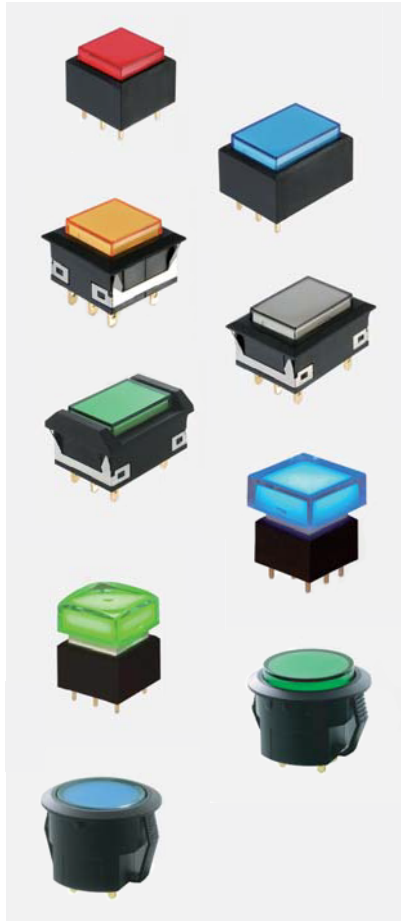


SPC SERIES

PUSH BUTTON SWITCHES



General Specifications

Circuit	: SPDT or DPDT
Rating	: 3A 125/250V AC or 3A 30VDC
Contact Resistance	: 50 m Ohm Max(initial)
Insulation Resistance	: 200 M Ohm Min
Operating Force	: Single pole: 190gf±50gf Double pole: 200gf±50gf
Total Travel	: 2.3mm±0.5mm
Mechanical Life	: 1,000,000 cycles min. for Momentary. 200,000 cycles min. for Alternate.
Electrical Life	: 10,000 cycles min. for silver alloy contact
Operating Temperature	: -25°C ~ +50 °C
Function	: Momentary or Alternate

Material

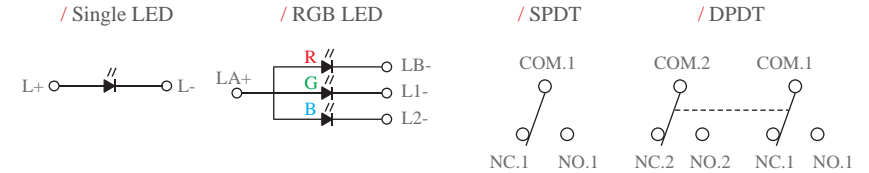
Cap	: Polycarbonate(PC)
Housing	: Polyamide (PA)
Snap-in Frame	: Stainless steel
Switch/LED Terminal	: Phosphor bronze (PBS) with gold plating
Movable Contacts	: Silver alloy
Spring	: Piano wire
Base	: Polyamide(PA)
LED	: Surface type LED

Features

- Bright LEDs of Single, RGB colors available.
- Full face illumination plus in square or rectangular models.
- Combination of PCB mounting and Panel snap-in.
- Small and short body for mounting in tight spaces.
- Snap-action contact mechanism.
- Momentary and Alternate available.

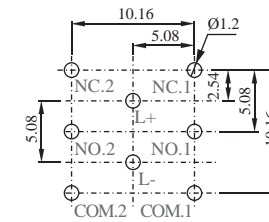
PAT. I 328825
PAT. ZL 2007 2 0141337. X

Contact Configuration

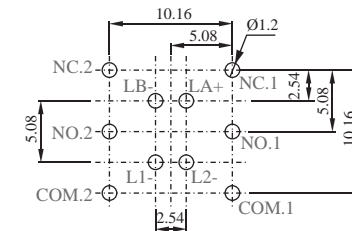


PCB Layout

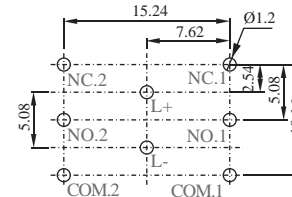
/ Single LED (Square Type)



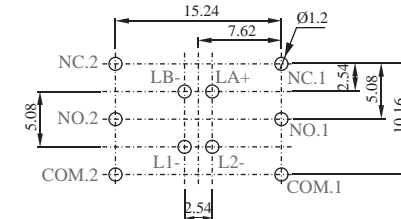
/ RGB LED (Square Type)



/ Single LED (Rectangular Type)



/ RGB LED (Rectangular Type)



Note:

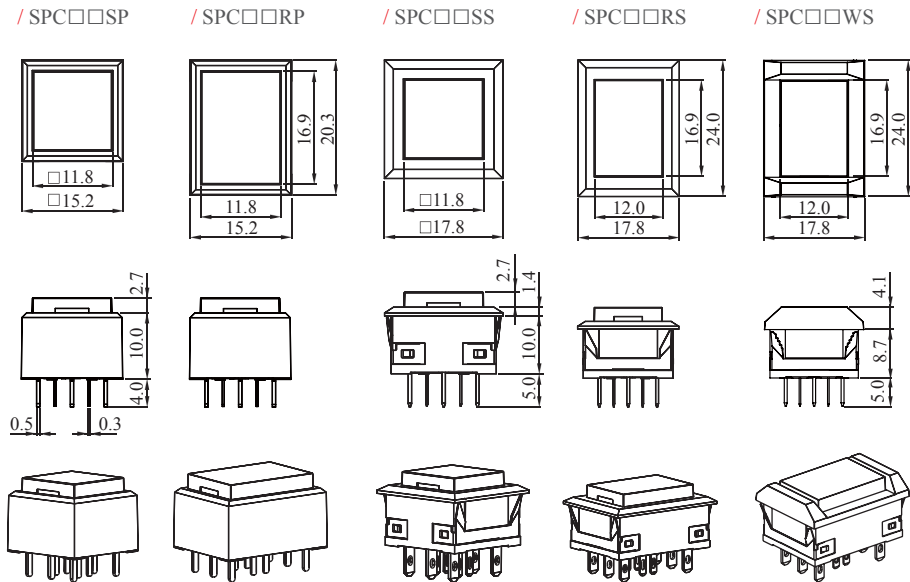
Single & Double Pole: Single pole do not have terminal Com2, NO.2. and NC2

SPC SERIES

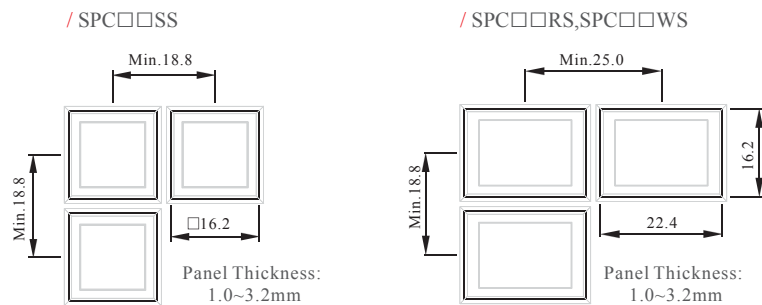
PUSH BUTTON SWITCHES



Dimension

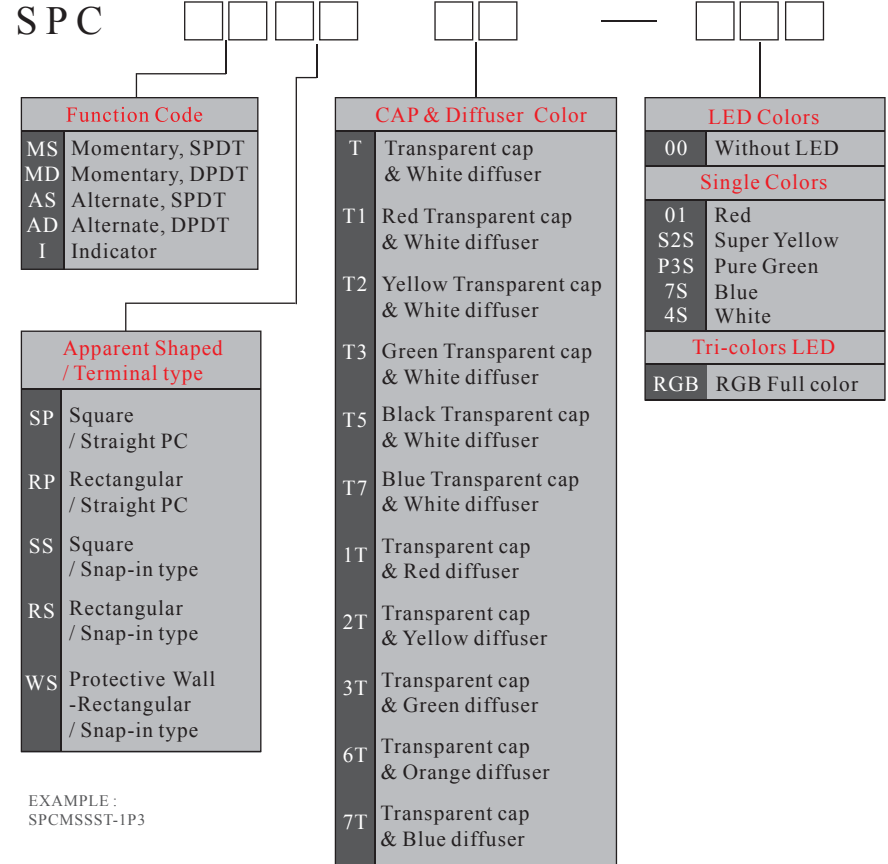


Panel cutting



How to order

SPC



Function Code	
MS	Momentary, SPDT
MD	Momentary, DPDT
AS	Alternate, SPDT
AD	Alternate, DPDT
I	Indicator

Apparent Shaped / Terminal type	
SP	Square / Straight PC
RP	Rectangular / Straight PC
SS	Square / Snap-in type
RS	Rectangular / Snap-in type
WS	Protective Wall - Rectangular / Snap-in type

CAP & Diffuser Color	
T	Transparent cap & White diffuser
T1	Red Transparent cap & White diffuser
T2	Yellow Transparent cap & White diffuser
T3	Green Transparent cap & White diffuser
T5	Black Transparent cap & White diffuser
T7	Blue Transparent cap & White diffuser
1T	Transparent cap & Red diffuser
2T	Transparent cap & Yellow diffuser
3T	Transparent cap & Green diffuser
6T	Transparent cap & Orange diffuser
7T	Transparent cap & Blue diffuser

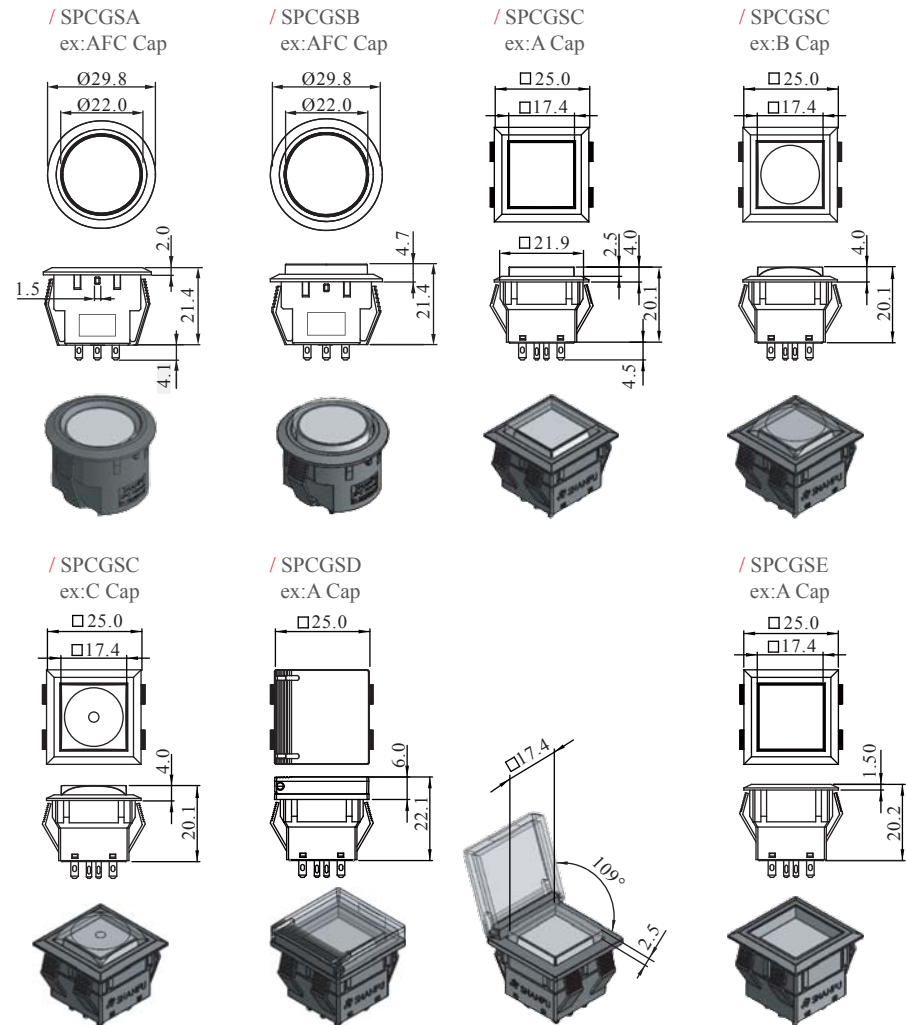
LED Colors	
00	Without LED
Single Colors	
01	Red
S2S	Super Yellow
P3S	Pure Green
7S	Blue
4S	White
Tri-colors LED	
RGB	RGB Full color

EXAMPLE:
SPCMSSST-1P3

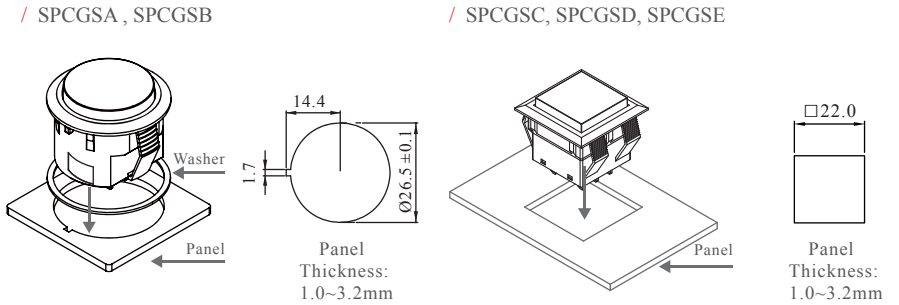
SPC SERIES

PUSH BUTTON SWITCHES

Dimension (SPCGS)



Panel Cutting & Installation Notes (SPCGS)



How to order

SPCGS

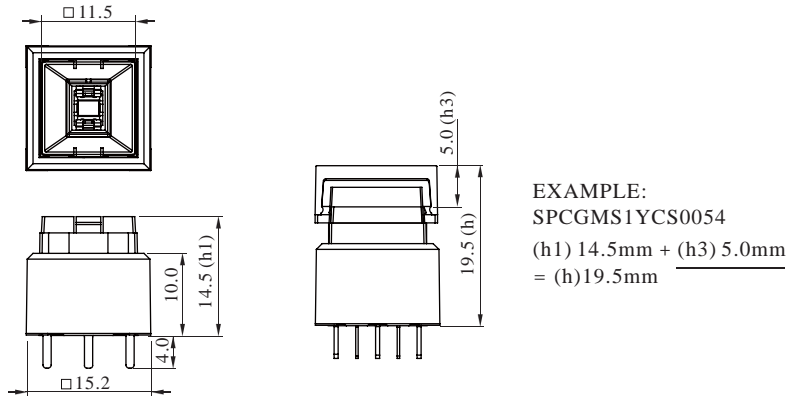
Button Convex/Flat	LED Colors	Housing Color	Cap Style / Color
A Round Flat	0 Without LED	5 Black	AFC $\varnothing 22.0$ Round Flat / Clear
B Round Convex	Single Colors		AFCC $\varnothing 22.0$ Round Flat / Clear Black
C Square Convex	1 Red		A 17.4 Square Flat / Clear
D Square Convex Protective	2 Super Yellow		B 17.4 Square Concave / Clear
E Square Flat	4 White		C 17.4 Square Spot key / Clear
	5 Pure Green		
	7 Blue		
	Tri-colors LED		
	9 RGB Full color		

EXAMPLE:
SPCGSAMD95AFCC

SPC SERIES

PUSH BUTTON SWITCHES

Dimension (SPCG)



How to order (SPCG)

