

SPD5K

NAVIGATION SWITCH



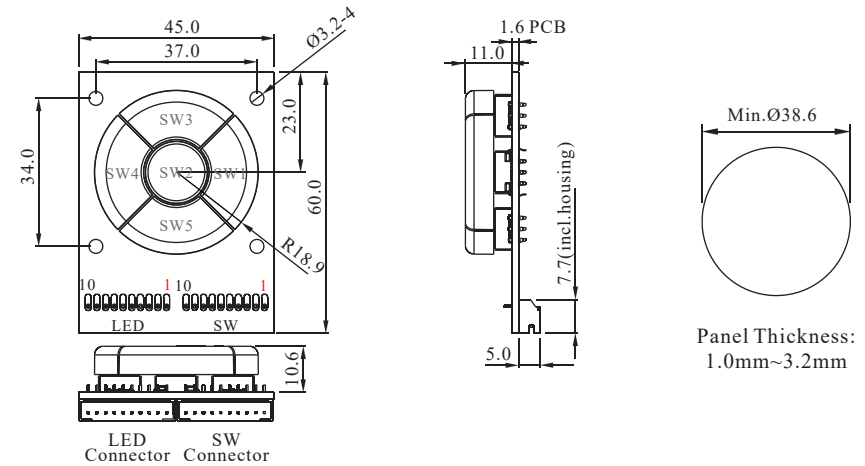
General Specifications

Circuit :SP5T
 Current Rating :50mA @ 12VDC
 Contact Resistance :100mOhm Max.(initial)
 Insulation Resistance :100MOhm Min.
 Operating Force :220gf±50gf
 Total Travel :0.3mm±0.1mm
 Mechanical Life :1,000,000 cycles Min.
 Operating Temperature :-10 °C ~ +60 °C

Materials

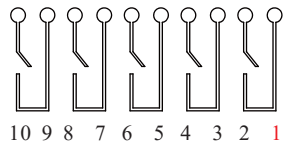
Cover :Polycarbonate (PC)
 Reflector :Polyamide(PA)
 Base :Polyamide(PA)
 Action Dome :Stainless steel with silver plating
 Terminal :Phosphor bronze (PBS) with gold plating

Dimension & Panel cutting



Contact Configuration

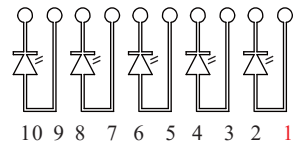
SW5 SW4 SW3 SW2 SW1



| Pin | Function | Pin | Function |
|-----|-----------|-----|-----------|
| 1 | SW COM. | 6 | SW 3 N.O. |
| 2 | SW 1 N.O. | 7 | SW 4 COM. |
| 3 | SW 2 COM. | 8 | SW 4 N.O. |
| 4 | SW 2 N.O. | 9 | SW 5 COM. |
| 5 | SW 3 COM. | 10 | SW 5 N.O. |

SW Configuration

LED5 LED4 LED3 LED2 LED1



| Pin | Function | Pin | Function |
|-----|----------|-----|----------|
| 1 | LED 1 + | 6 | LED 3 - |
| 2 | LED 1 - | 7 | LED 4 + |
| 3 | LED 2 + | 8 | LED 4 - |
| 4 | LED 2 - | 9 | LED 5 + |
| 5 | LED 3 + | 10 | LED 5 - |

LED Configuration

How to order



SPD5K-AM006

Red LED /
 Paint Black Cap
 with Laser marking

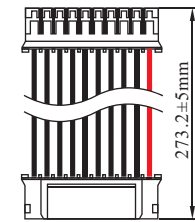


SPD5K-AM014

Blue LED /
 Paint White Cap
 with Laser marking

※ Color is subject to actual product.
 ※ We provide Laser Marking service.

Option



10 98765432 1

Cable: YCW001-A
 Cable: UL1007#26AWG
 Conductor pitch : 2.0mm
 Conductor width : □0.5mm