

# SPH2 SERIES

NOISELESS ILLUMINATED TACTILE SWITCH



PAT. M 362501  
PAT. ZL 2009 2 0149921.9

## General Specifications

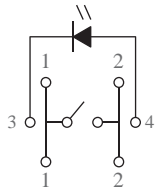
Current Rating	:50mA
Voltage Rating	:12VDC
Dielectric Withstanding Voltage	:250VAC for 1 minute
Contact Resistance	:100m Ohm Max.(initial)
Insulation Resistance	:100M Ohm Min.
Mechanical Life	:1,000,000 cycles Min.
Solder Specifications	:260 deg. for 3 seconds
Function	:Momentary(SPST)
Operating Temperature	:-10 °C ~ +60 °C

Part No.	Travel (mm)	Force (gf)	Description
SPH2N	1.0 ± 0.3	60 ± 40	Noiseless, Long travel
SPH2T	0.4 ± 0.2	230 ± 50	Crisp, Long tactile travel
SPH2S	0.2 ± 0.1	190 ± 50	Normal, Short travel

## Materials

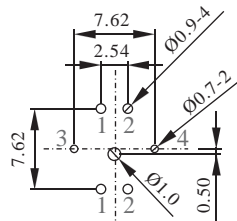
Diffuser	:Polycarbonate (PC)
Cap	:Polycarbonate (PC) Polyamide (PA)
Base	:Polyamide (PA)
Reflector	:Polyoxymethylen (POM)
Housing	:Acrylonitrile Butadine Styrene (ABS) Polyamide (PA)
Switch Terminal	:Brass with gold plating

## PCB layout & Circuit Diagram



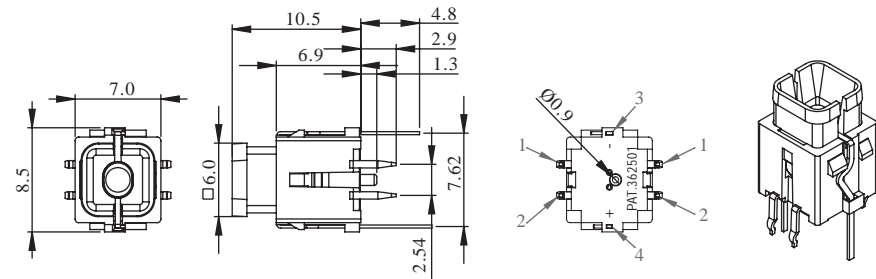
Contact Configuration

Pin	Function
1	SW COM.
2	SW N.O.
3	LED-
4	LED+

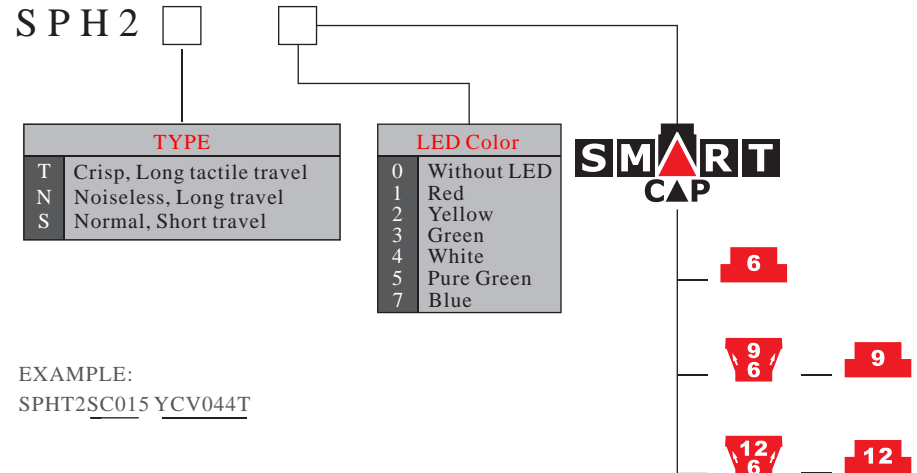


PCB Mounting

## Dimension



## How to Order



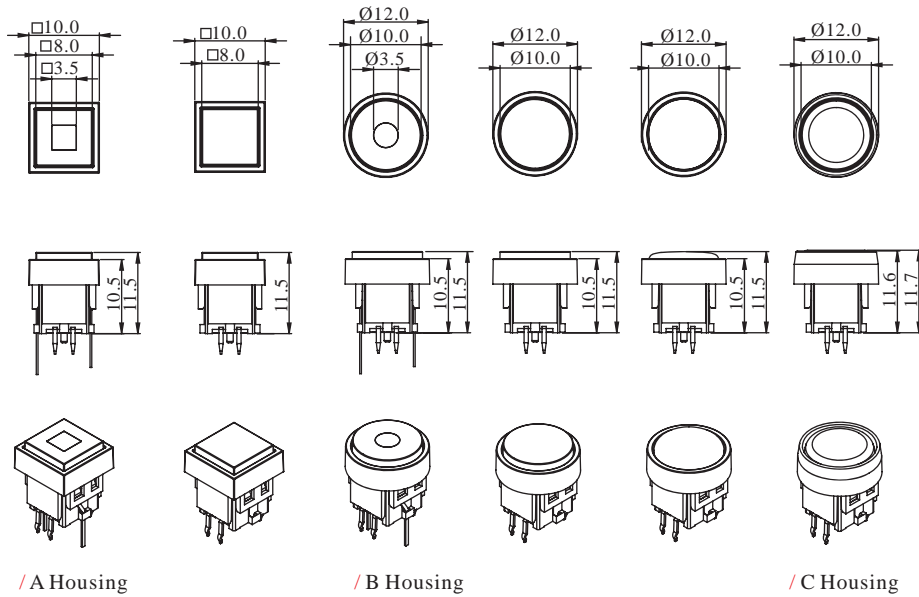
# SPH2 SERIES

NOISELESS ILLUMINATED TACTILE SWITCH



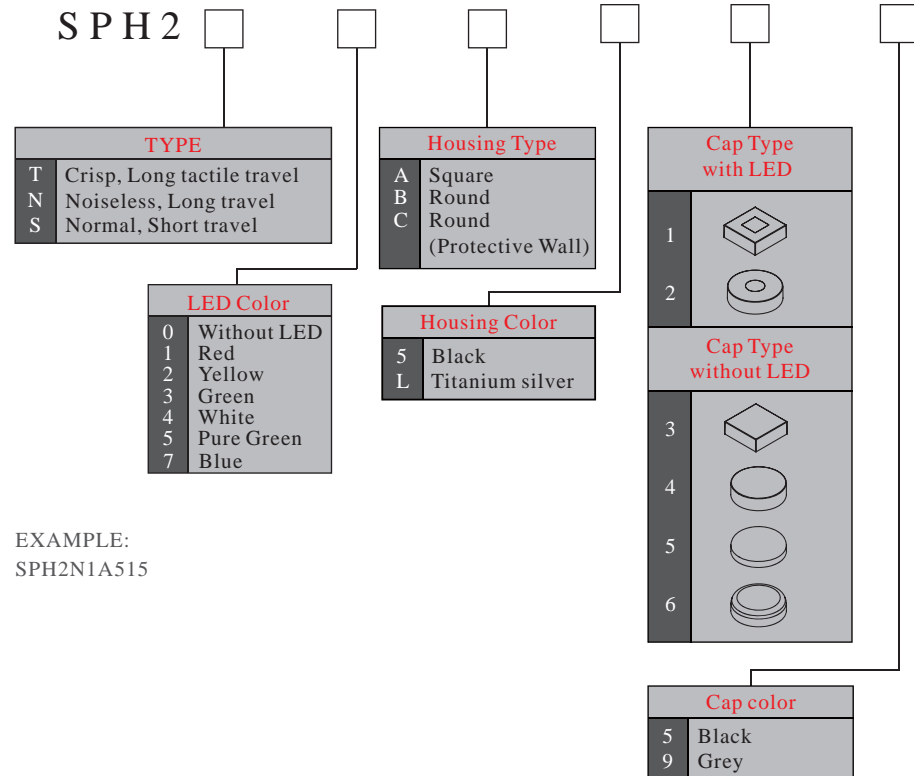
## Dimension of Housing

/ Cap Type 1 / Cap Type 3 / Cap Type 2 / Cap Type 4 / Cap Type 5 / Cap Type 6



## How to Order

SPH 2



EXAMPLE:  
SPH2N1A515