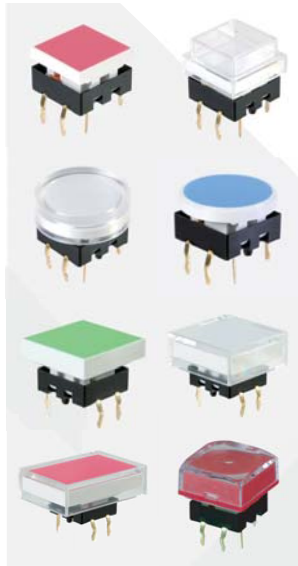


SPL SERIES

ILLUMINATED TACTILE SWITCH SERIES

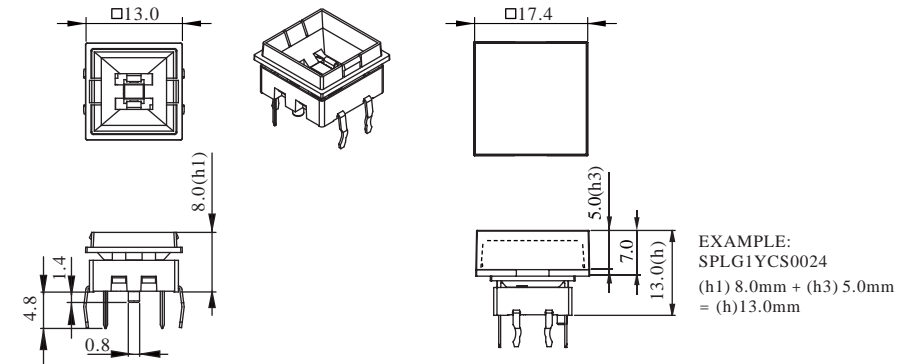


General Specifications
 Circuit :SPST
 Current Rating :50mA @ 12VDC
 Contact Resistance :100mOhm Max.(initial)
 Insulation Resistance :100MOhm Min.
 Operating Force :300gf ± 100gf
 Total Travel :0.3mm±0.1mm
 Mechanical Life :5,000,000 cycles Min.
 Operating Temperature :-25 °C ~ +60 °C

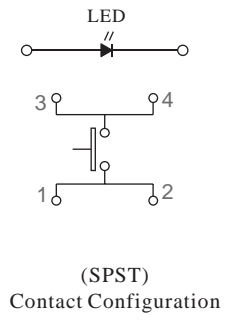
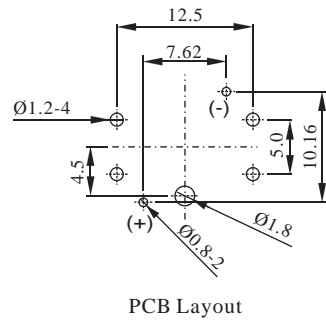
Materials
 Cover :Polycarbonate (PC)
 Cap :Polycarbonate (PC)
 Housing :Polyamide (PA)
 Base :Polyamide (PA)
 Lamp Term. :Phosphor bronze (PBS) with gold plating
 Act. Dome :SUS with silver plating
 End Term. :Brass with gold plating
 LED :Surface Mount Chip LED

PAT. M 332927
 PAT. ZL 2007 2 0311508.9

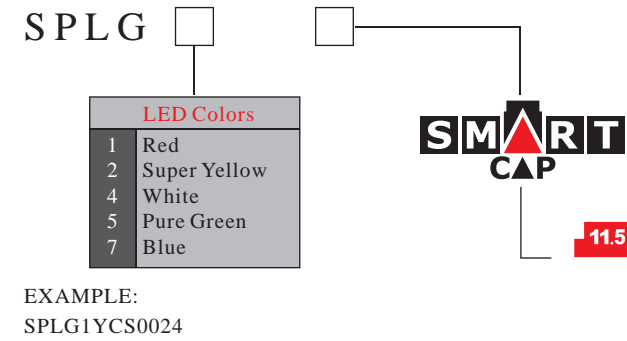
Dimension (SPLG)



Contact configuration



How to order (SPLG)

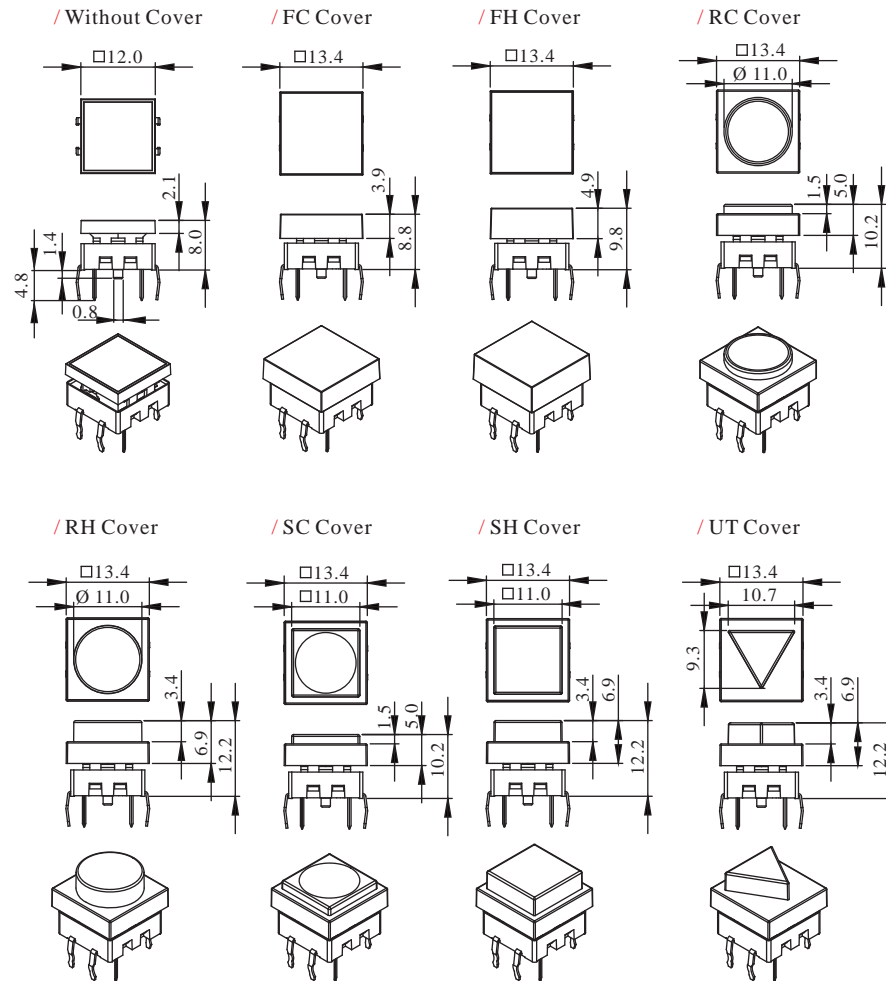


SPL SERIES

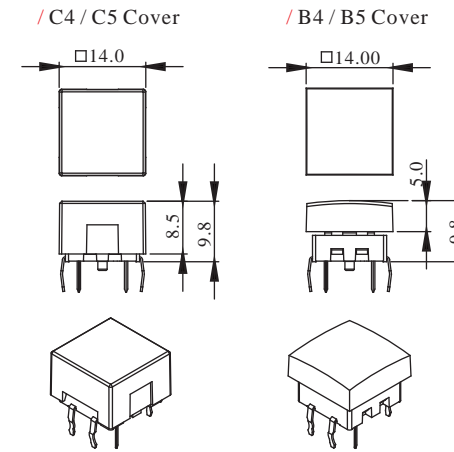
ILLUMINATED TACTILE SWITCH SERIES



Dimension (SPL12)



Dimension (SPL12)



How to order (SPL12)

S P L 1 2 - - -

Function Code	Diffuser Colors	LED Colors	Cover style / Color
P Illuminated Switch	1 Red 2 Yellow 3 Green 4 White	01 Red S2S Super Yellow 03 Green P3S Pure Green 4S White 7S Blue	00 Without Cover FC Flat/Clear FH Flat/Clear RC Round/Clear RH Round(High)/Clear SC Square/Clear SH Square (High)/Clear UT UP Triangle/Clear C4 Flat cover/White C5 Flat cover/Foggy B4 Raised cover/White B5 Raised cover/Clear

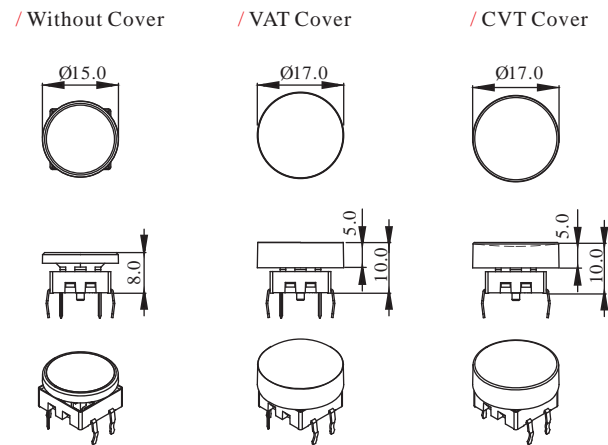
EXAMPLE :
SPL12P-2-S2S-FC

SPL SERIES

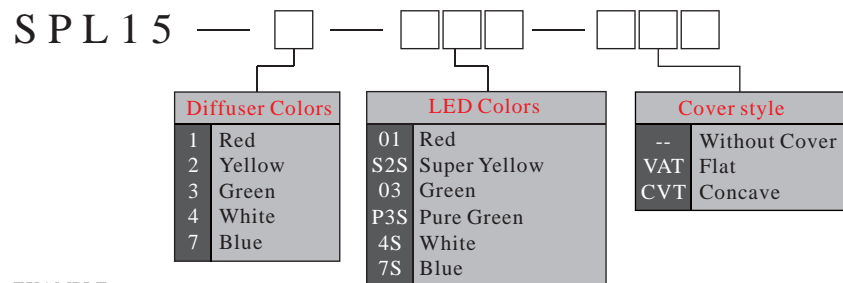
ILLUMINATED TACTILE SWITCH SERIES



Dimension (SPL15)

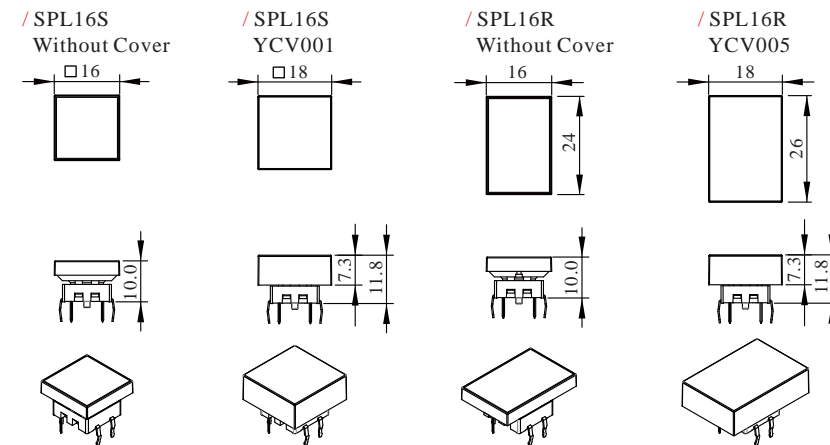


How to order (SPL15)

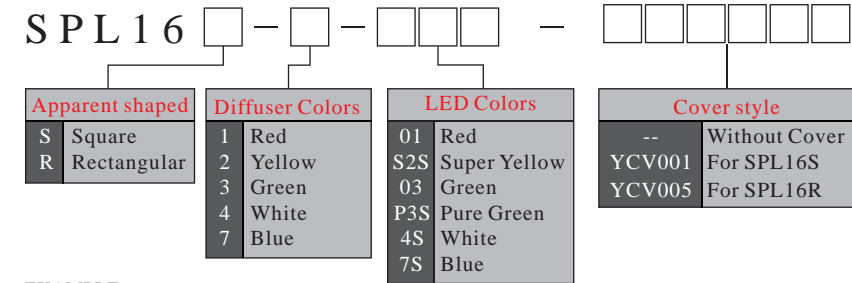


EXAMPLE :
SPL15-1-01-VA T

Dimension (SPL16)



How to order (SPL16)



EXAMPLE :
SPL16S-1-01-YCV001