

SS SERIES

ULTRA-MINIATURE SLIDE SWITCH



SPECIFICATIONS

RATING: 0.3A 50V DC

FUNCTION: 1P2T

TIMING: NON-SHORTING

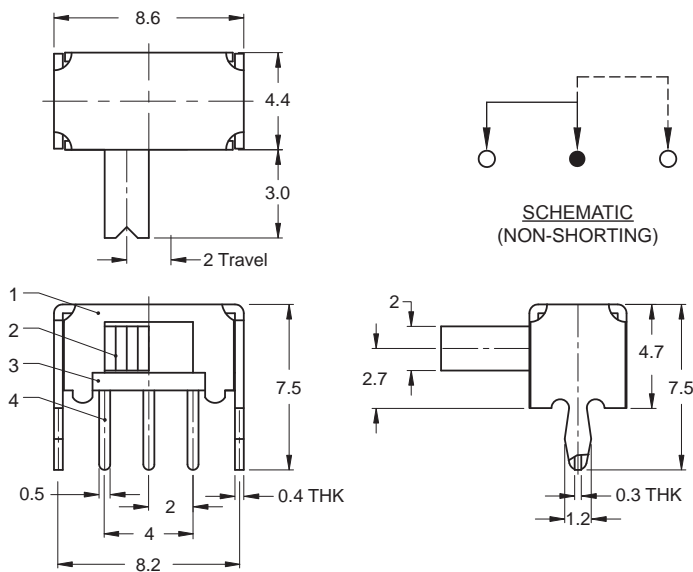
CONTACT RESISTANCE: 100 mΩ MAX.

INSULATION RESISTANCE: 100 MΩ min.

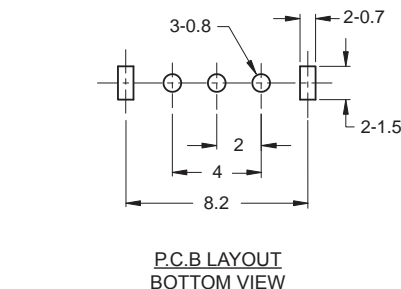
OPERATION FORCE: 250gf±100gf

PRACTICAL TEMPERATURE RANEG: -16°C to +60°C

▼ DIMENSION



Model name. SS1209AHP-V3-LLR-B



| NO. | PARTS | MATERIALS | QTY | FINISH |
|-----|--------------|----------------|-----|-----------|
| 6 | Spring plate | SUS | 1 | Ag plated |
| 5 | Contact clip | PBS strip | 1 | Ag plated |
| 4 | Terminal | Brass strip | 3 | Ag plated |
| 3 | Base | Phenolic resin | 1 | Natural |
| 2 | Knob | POM | 1 | Black |
| 1 | Frame | Steel strip | 1 | Ni plated |



SPECIFICATIONS

RATING: 0.3A 50V DC

FUNCTION: 1P3T

TIMING: SHORTING

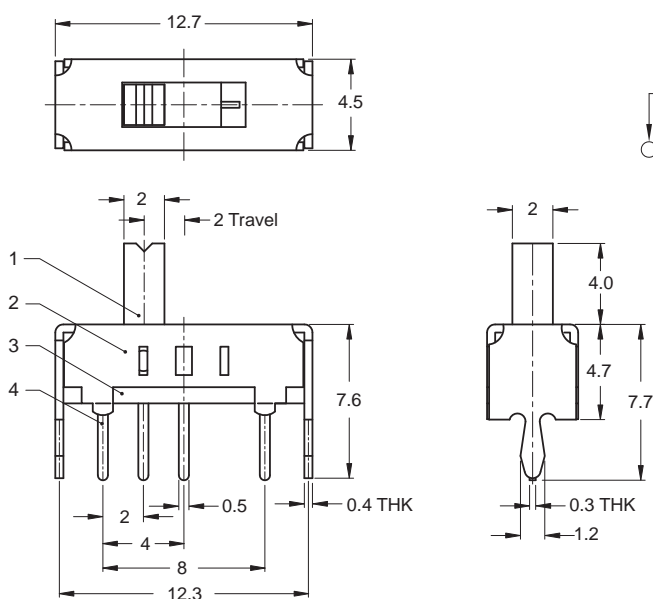
CONTACT RESISTANCE: 100 mΩ MAX.

INSULATION RESISTANCE: 100 MΩ min.

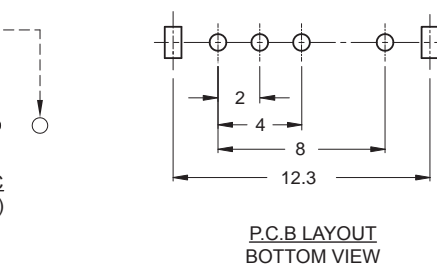
OPERATION FORCE: 250gf±100gf

PRACTICAL TEMPERATURE RANEG: -16°C to +60°C

▼ DIMENSION



Model name. SS1305VHP-V4-LLR-B



| NO. | PARTS | MATERIALS | QTY | FINISH |
|-----|--------------|----------------|-----|-----------|
| 6 | Spring plate | SUS | 1 | Natural |
| 5 | Contact clip | PBS strip | 1 | Ag plated |
| 4 | Terminal | Brass strip | 4 | Ag plated |
| 3 | Base | Phenolic resin | 1 | Natural |
| 2 | Frame | Steel strip | 1 | Ni plated |
| 1 | Knob | POM | 1 | Black |

SS SERIES

ULTRA-MINIATURE SLIDE SWITCH



SPECIFICATIONS

RATING: 0.3A 50V DC

FUNCTION: 2P3T

TIMING: SHORTING

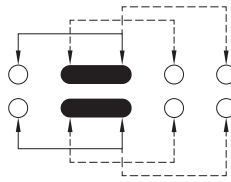
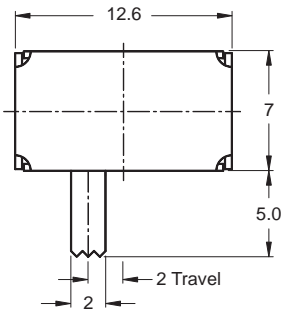
CONTACT RESISTANCE: 100 mΩ MAX.

INSULATION RESISTANCE: 100 MΩ min.

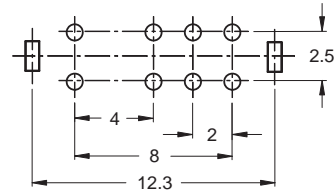
OPERATION FORCE: 300gf±100gf

PRACTICAL TEMPERATURE RANEG: -16°C to +60°C

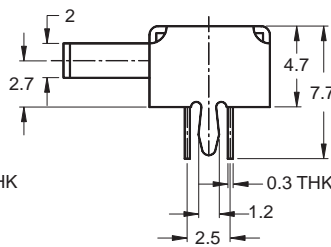
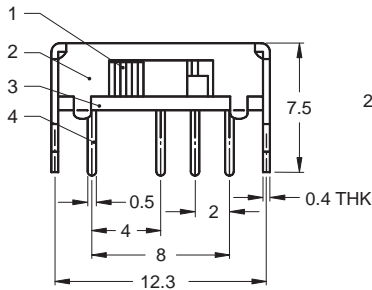
▼ DIMENSION



SCHMATIC
(SHORTING)



P.C.B LAYOUT
BOTTOM VIEW



| | | | | |
|-----|--------------|----------------|-----|-----------|
| 6 | Spring plate | SUS | 1 | Natural |
| 5 | Contact clip | PBS strip | 2 | Ag plated |
| 4 | Terminal | Brass strip | 8 | Ag plated |
| 3 | Base | Phenolic resin | 1 | Natural |
| 2 | Frame | Steel strip | 1 | Ni plated |
| 1 | Knob | POM | 1 | Black |
| NO. | PARTS | MATERIALS | QTY | FINISH |

Model name. SS2303AHP-G5-LLR-B