

TP6141 SERIES

LED ILLUMINATED TACT SWITCH



» Features

- Sharp "click" feeling with positive reliability feedback.
- Precise design terminal type adequate for DIP IC pitch size (multiple of 2.54mm).
- Several LED colors options.
- Adequate for DIP & SMT.



» Applications

- Operating switches in all types of electronic equipment such as audio apparatus, office equipment, communications apparatus, TV sets, VCRs, etc.

» Specifications

Rating	50mA 12VDC
Insulation Resistance	100MΩ Min (at 500 VDC)
Dielectric Strength	AC 250V (50/60 Hz for 1 minute)
Contact Resistance	100mΩ Max. (Initial)
Electrically Life	300,000 Cycles Min
Ambient Temperature	-20°C ~ +70°C
Operating Force	160 ± 50gf
Travel	0.25 ± 0.1 mm

» LED Specifications

Color	VR	IF	Recommended Operating Current	VF	
				Nor	Max
Red	DC 5V	20mA	20mA	1.7V	2.4V
Green	DC 5V	20mA	20mA	1.9V	2.4V
Yellow	DC 5V	20mA	20mA	1.9V	2.4V
Blue	DC 5V	20mA	20mA	3.0V	3.6V
White	DC 5V	20mA	20mA	3.0V	3.6V

For the specification about the other LEDs, please contact with sales department

» Product selection

TP 6141

-

FUNCTION	
Non-LED	
_	Standard type
M	SMT type
X	Holder
LED	
L	Standard type
ML	SMT type
XL	Holder

LED COLOR		
1		Red
2		Yellow
3		Green
4		Blue
5		White
6		Pure Green
8		Amber
9		Blue Green
10		Pink
011		Purple
12		Red/Yellow
13		Red/Green
14		Red/Blue
23		Yellow/Green
48		Blue/Amber
52		White/Yellow
58		White/Amber
-		Non-LED

TP6141 SERIES

LED ILLUMINATED TACT SWITCH



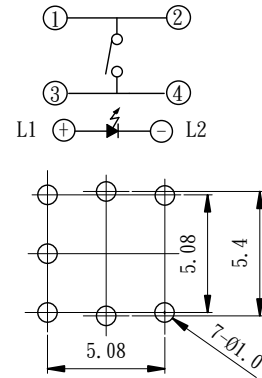
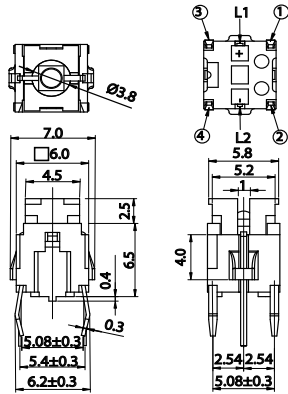
» Operating characteristics

Unit: mm

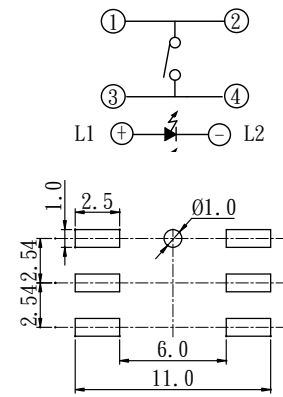
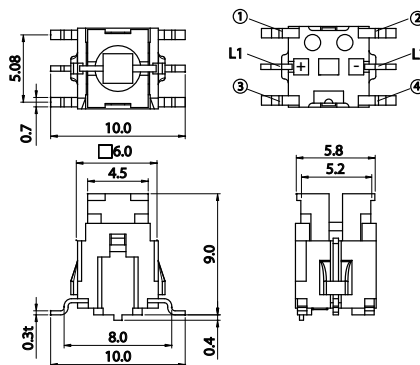
Dimensions

P.C.B Layout

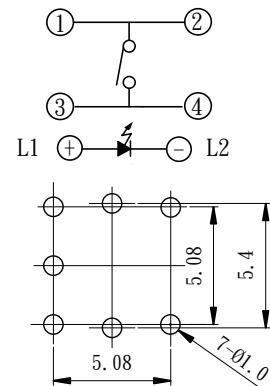
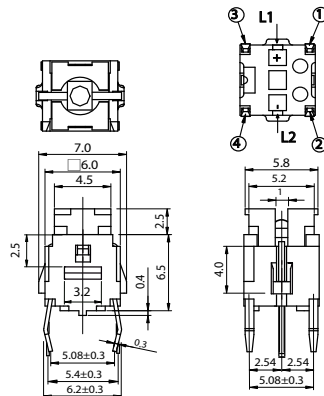
TP6141 TP6141L



TP6141M TP6141ML



TP6143 TP6143L



TP6143X TP6143XL

