

# TP6X7 SERIES

LED ILLUMINATED TACT SWITCH



## » Features

- Metal dome and rubber dome options.
- Precise design terminal type adequate for DIP IC pitch size (multiple of 2.54mm).
- Adequate for DIP & SMT.
- Several LED colors options.
- Several traveling force options.



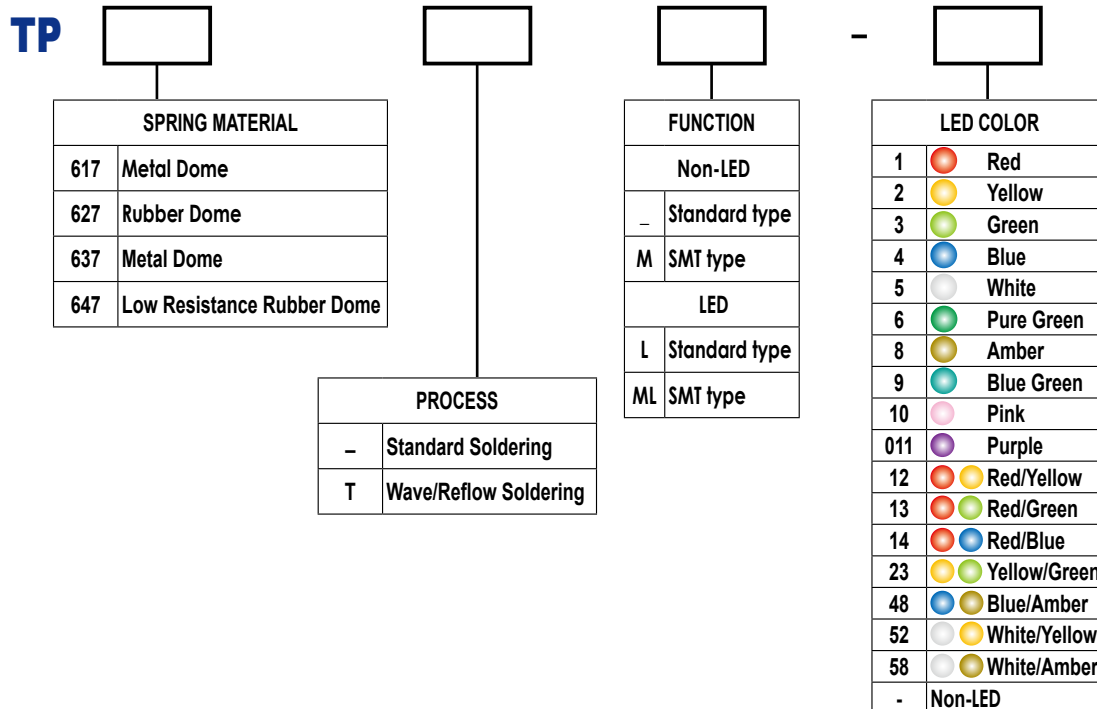
## » Applications

- Operating switches in all types of electronic equipment such as audio apparatus, office equipment, communications apparatus, TV sets, VCRs, etc.

## » Specifications

SERIES	TP617	TP627	TP637	TP647
Rating	50mA 48VDC	10mA 12VDC	50mA 48VDC	50mA 12VDC
Insulation Resistance	100MΩ Min (at 500 VDC)	100MΩ Min (at 500 VDC)	100MΩ Min (at 500 VDC)	100MΩ Min (at 500 VDC)
Dielectric Strength	AC 250V (50/60 Hz for 1 minute)	AC 250V (50/60 Hz for 1 minute)	AC 250V (50/60 Hz for 1 minute)	AC 250V (50/60 Hz for 1 minute)
Contact Resistance	100mΩ Max. (Initial)	500mΩ Max. (Initial)	100mΩ Max. (Initial)	20mΩ Max. (Initial)
Electrically Life	300,000 Cycles Min	100,000 Cycles Min	300,000 Cycles Min	100,000 Cycles Min
Ambient Temperature	-20°C~ +70°C	-20°C~ +70°C	-20°C~ +70°C	-20°C~ +70°C
Total Trovel	0.25 ± 0.1mm	1.0 ± 0.2mm	0.6 ± 0.2mm	1.0mm Min
Operating Force	160 ± 50gf	100 ± 40gf	250 ± 50gf	200gf Min
	100 ± 30gf			
	250 ± 50gf			

## » Product selection



# TP6X7 SERIES

LED ILLUMINATED TACT SWITCH



## » LED Specifications

Color	VR	IF	Recommended Operating Current	VF	
				Nor	Max
Red	DC 5V	20mA	20mA	1.7V	2.4V
Green	DC 5V	20mA	20mA	1.9V	2.4V
Yellow	DC 5V	20mA	20mA	1.9V	2.4V
Blue	DC 5V	20mA	20mA	3.0V	3.6V
White	DC 5V	20mA	20mA	3.0V	3.6V

For the specification about the other LEDs, please contact with sales department

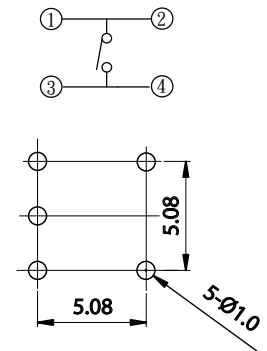
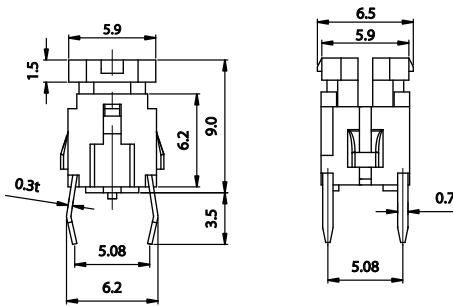
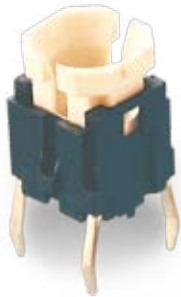
## » Operating characteristics

Unit: mm

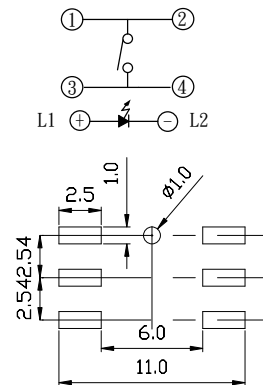
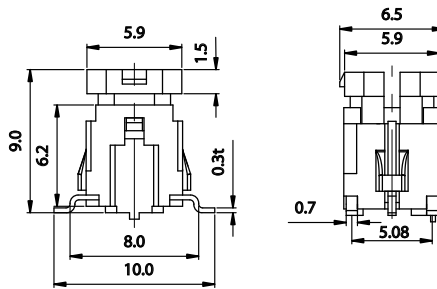
Dimensions

P.C.B Layout

### TP617 TP637 (Metal) TP627 (Rubber)



### TP617ML TP637ML (Metal) TP627ML (Rubber)



### TP647TL (Low Resistance Rubber Dome)

