

TS006 SERIES

LED TOUCH SENSOR SWITCH



Feature :

- Encoder Operation Mode: 15 position output
- VR Operation Mode: 15 position output
- One key output other than the scroller output
- Bi-color LED illuminated available

Application :

- Audio / video equipments
- Consumer products
- Computer products
- Communication equipments
- Home appliances

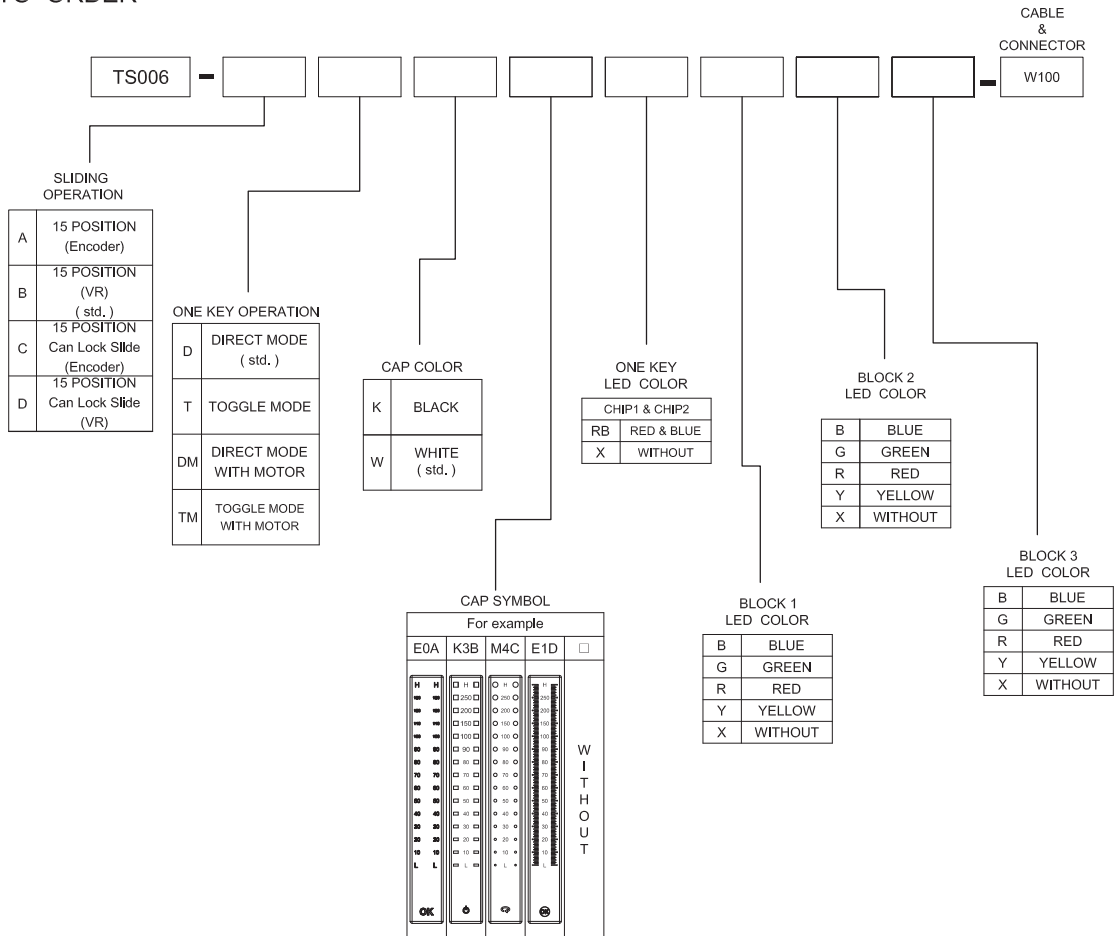


SWITCH SPECIFICATIONS							
POLE - POSITION		Two-Channel					
CIRCUIT FEATURE		Capacitive PWM signal					
OPERATING TEMPERATURE RANGE		-20°C ~ 70°C					
ELECTRICAL CHARACTERISTICS							
Symbol	Parameter	Test Conditions		MIN.	TYP.	MAX.	Units
		V _{DD}	Conditions				
V _{CC}	Input Voltage	-	-	0	-	28	V
V _{DD}	Operating Voltage	-	-	2.8	5.0	5.5	V
I _{DD}	Operating Voltage - No Load	3.3V	3.3V	-	2	3	mA
V _{OH}	Output High Voltage	3.3V	I _{OH} = - 4.0mA	2.1	-	-	V
V _{OL}	Output Low Voltage	3.3V	I _{OH} = 8.0mA	-	-	0.9	V
V _{IL}	Input ports	3.3V	-	-	200	-	Hz

LED SPECIFICATIONS								
<p>ATTENTION LEDs are Electrostatic Sensitive devices</p>	Unit	Value / LED Color						
		Blue	Pure Green	Red	Yellow	Orange	Green	White
LUMINOUS INTENSITY@20mA I _v	mcd	150	1000	800	350	700	330	300~1500
Dominant Wavelength λ _D	nm	470	525	630	590	601	570	/
FORWARD VOLTAGE@20mA V _f	V	3.7	3.5	2	2.1	2.1	2.1	3.5

■ A single bin cannot be ordered, please contact us in advance if you need a particular bin sorting before placing your order to clarify the lead time, MOQ and pricing

► HOW TO ORDER



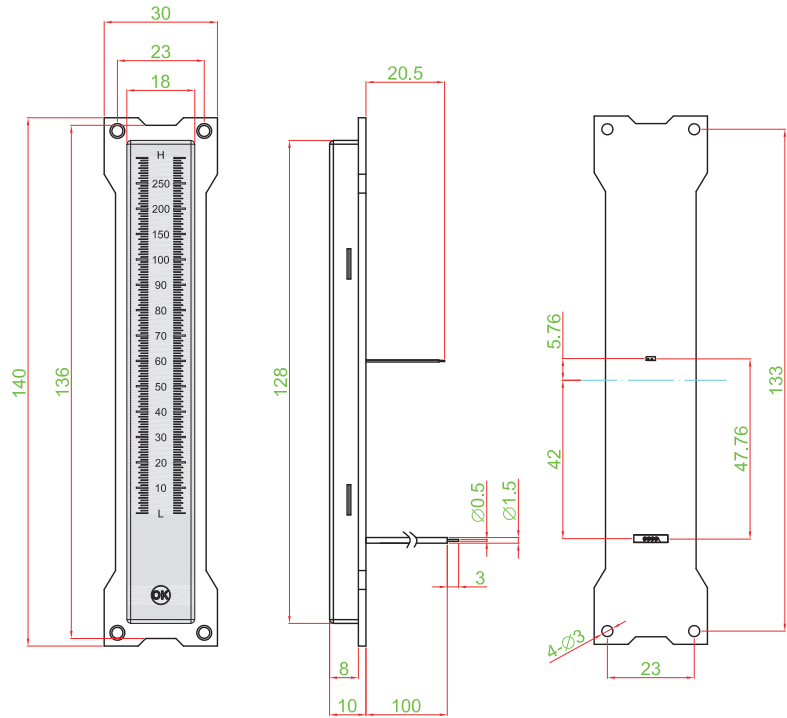
TS006 SERIES

LED TOUCH SENSOR SWITCH

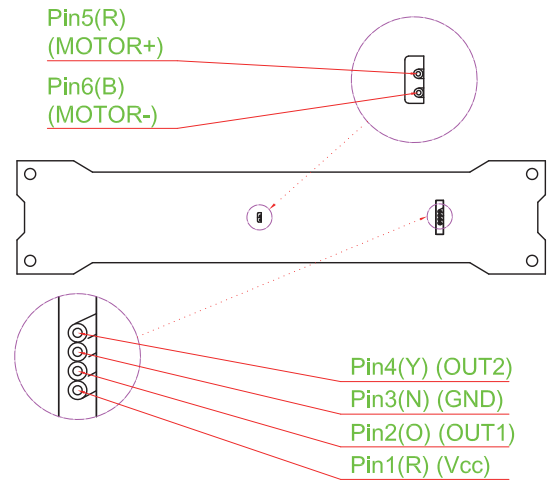
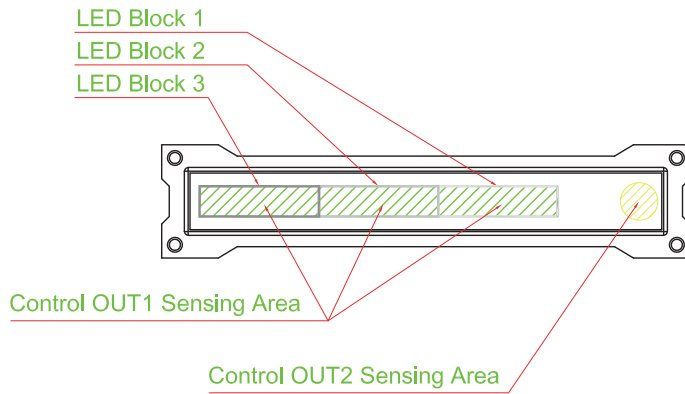


► DIMENSION & FRAME TYPE

TS006-BTMKE1DRBYGB-W100



► CIRCUIT



► PANEL CUT OUT

